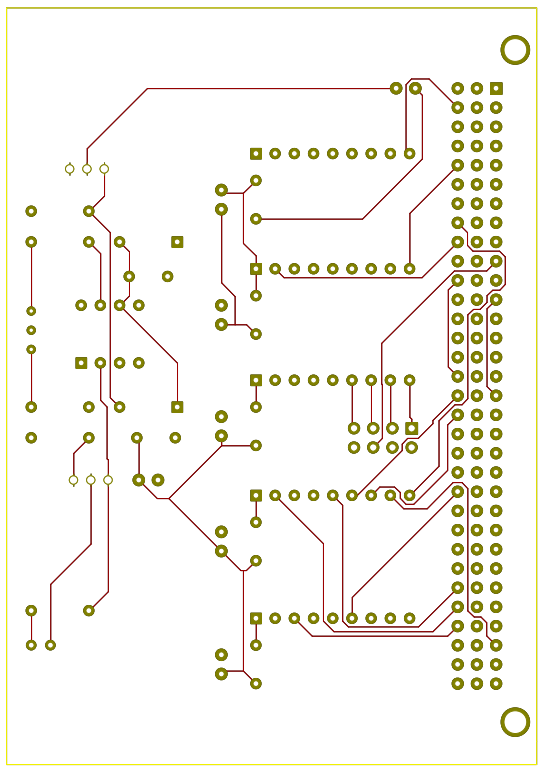
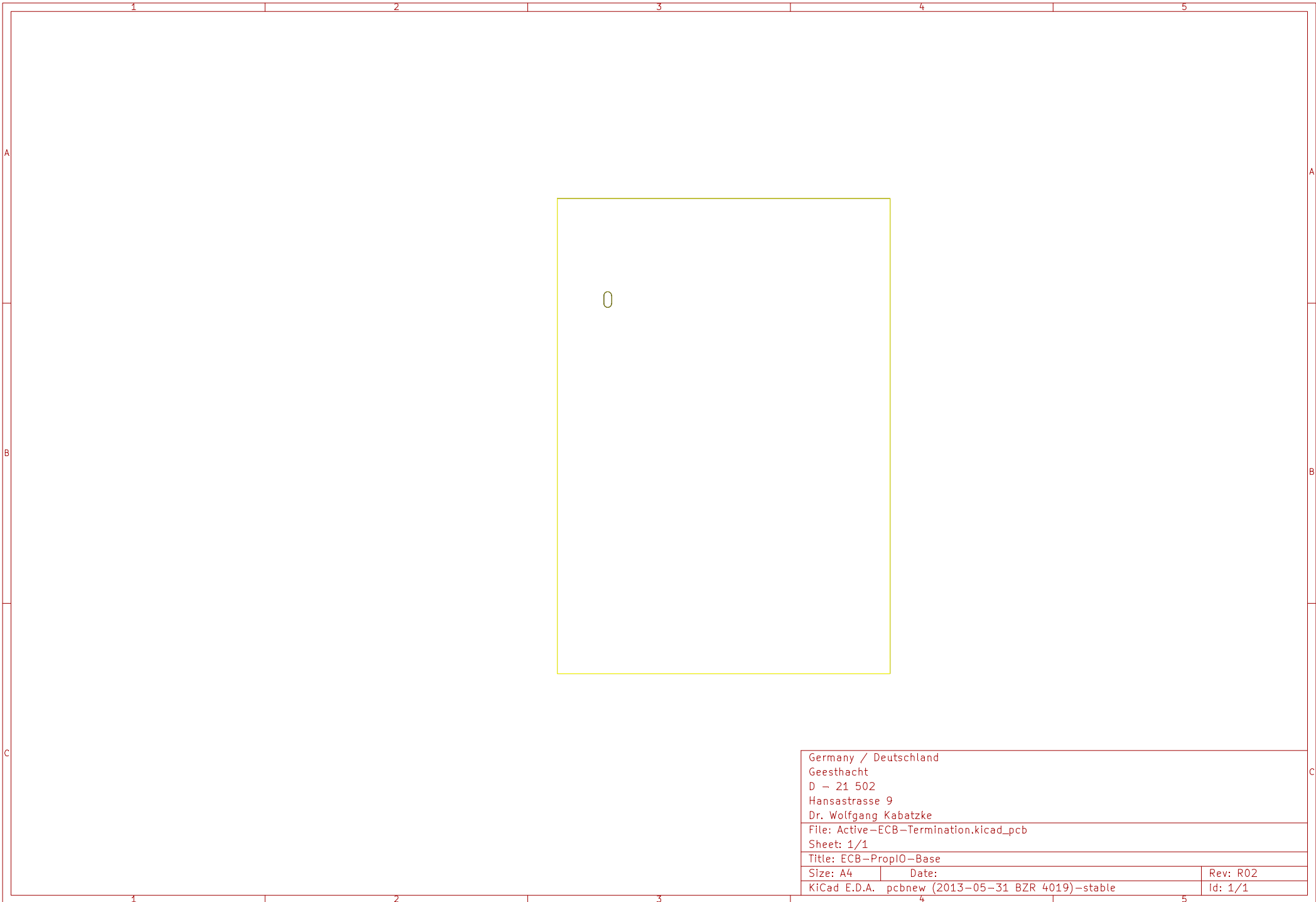


Germany / Deutschland		
Geesthacht		
D - 21 502		
Hansastraße 9		
Dr. Wolfgang Kabatzke		
File: Active-ECB-Termination.kicad_pcb		
Sheet: 1/1		
Title: ECB-PropIO-Base		
Size: A4	Date:	Rev: R02
KiCad E.D.A.	pcbnew (2013-05-31 BZR 4019)-stable	Id: 1/1

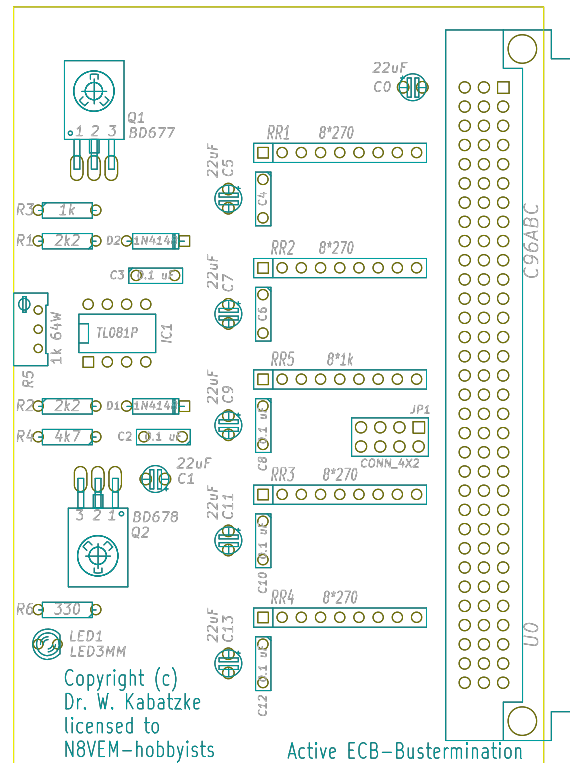


Germany / Deutschland		
Geesthacht		
D - 21 502		
Hansastraße 9		
Dr. Wolfgang Kabatzke		
File: Active-ECB-Termination.kicad_pcb		
Sheet: 1/1		
Title: ECB-PropIO-Base		
Size: A4	Date:	Rev: R02
KiCad E.D.A.	pcbnew (2013-05-31 BZR 4019)-stable	Id: 1/1

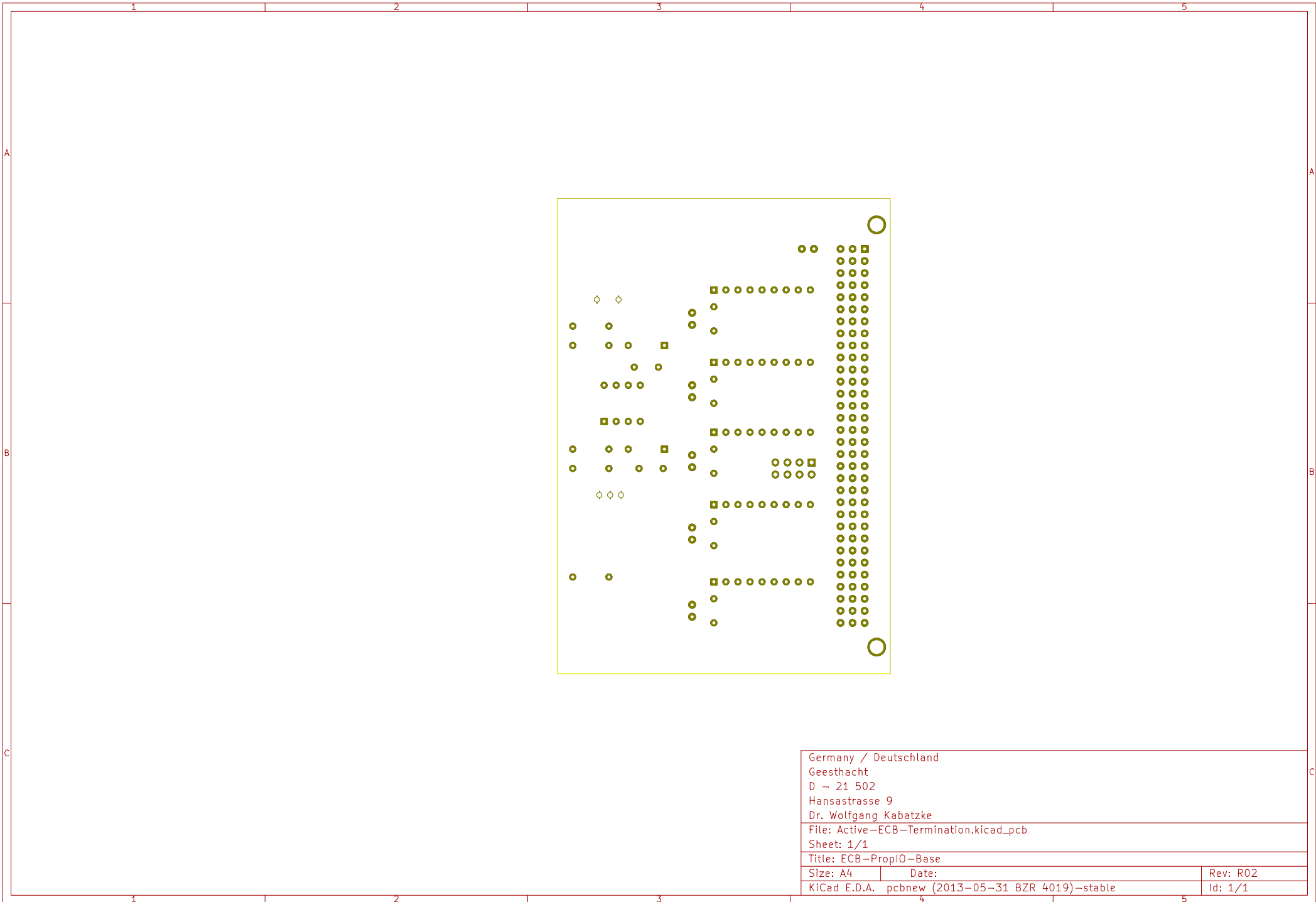


0

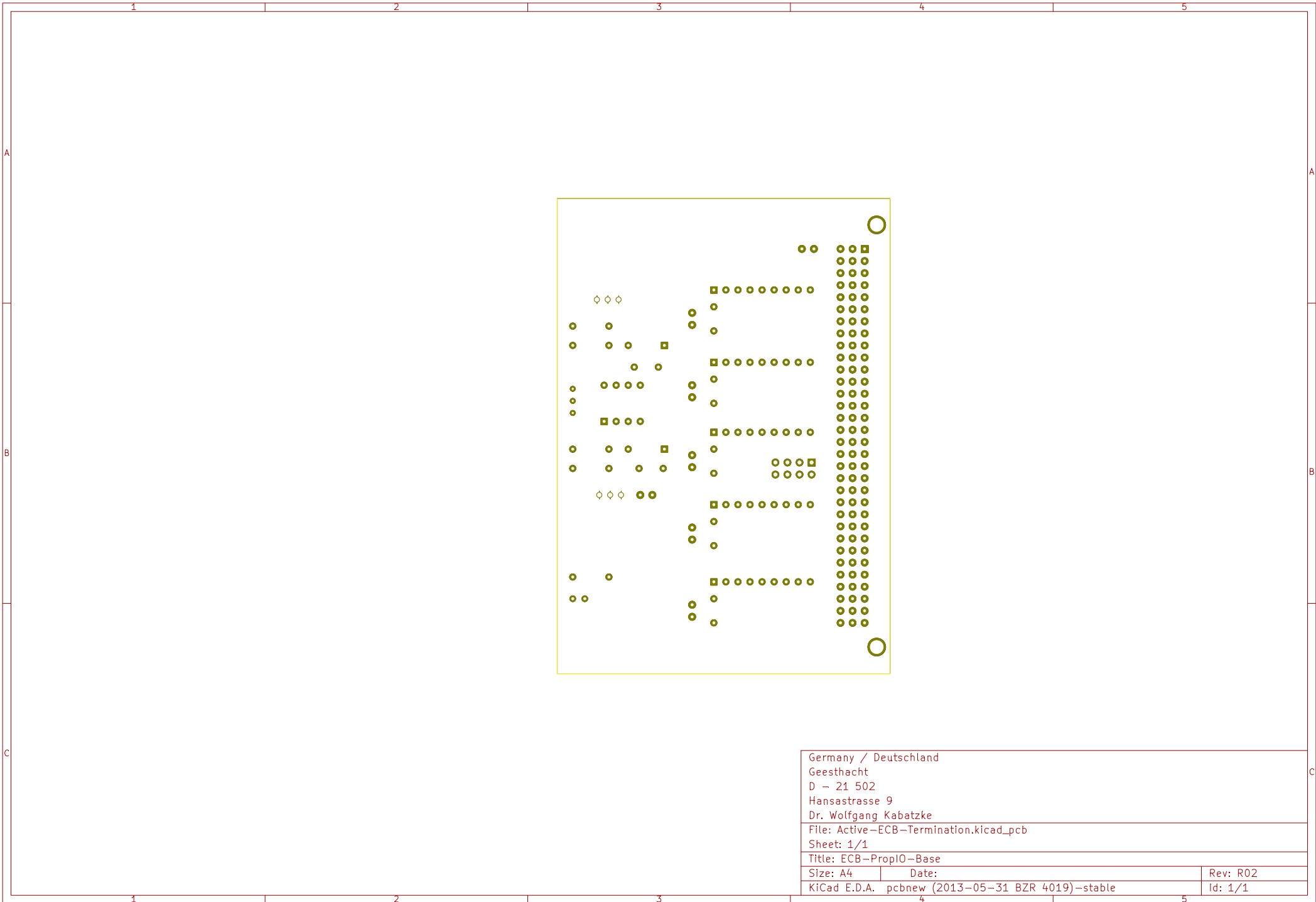
Germany / Deutschland		
Geesthacht		
D - 21 502		
Hansastraße 9		
Dr. Wolfgang Kabatzke		
File: Active-ECB-Termination.kicad_pcb		
Sheet: 1/1		
Title: ECB-PropIO-Base		
Size: A4	Date:	Rev: R02
KiCad E.D.A. pcbnew (2013-05-31 BZR 4019)-stable		Id: 1/1



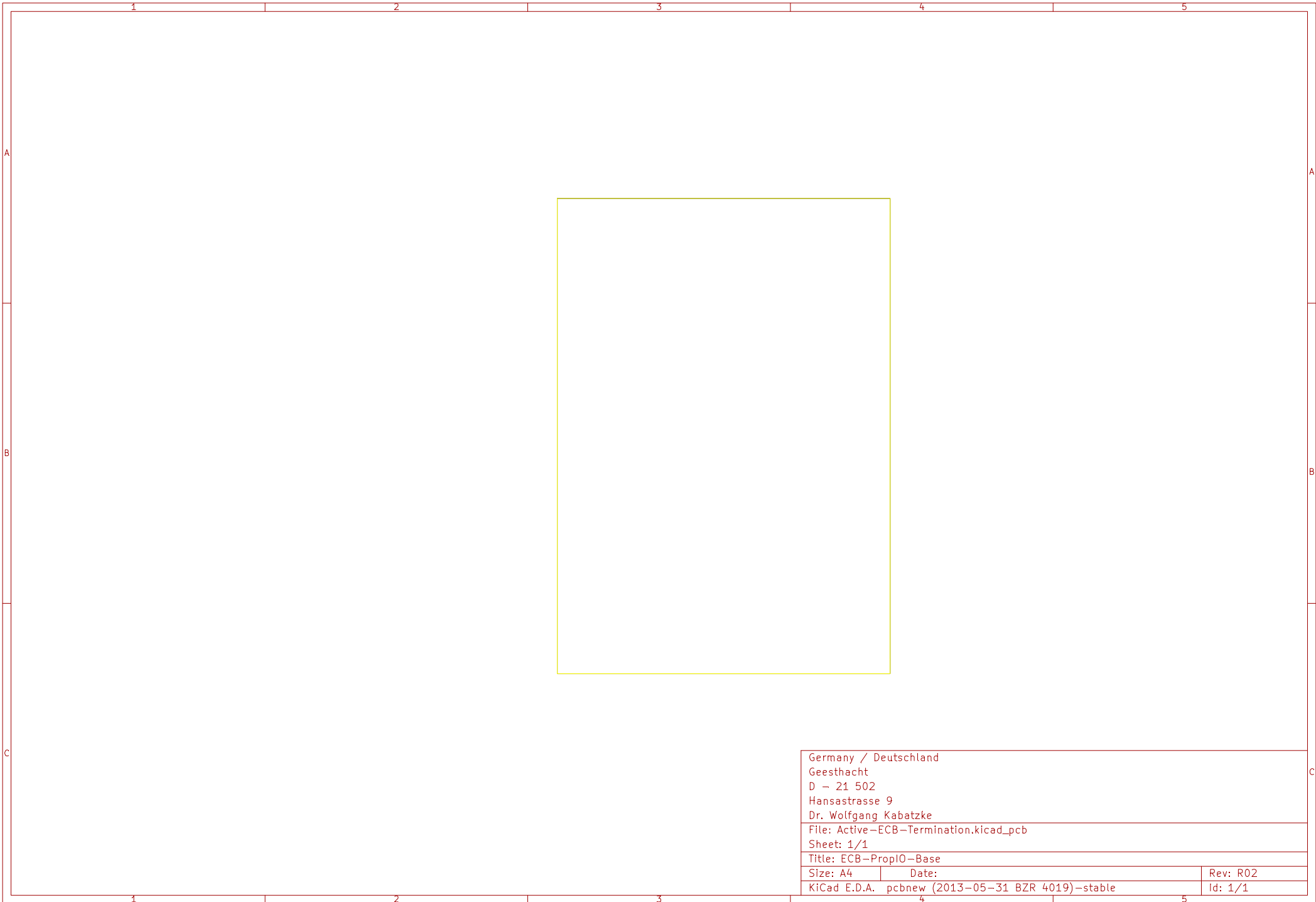
Germany / Deutschland  
Geesthacht  
D - 21 502  
Hansastraße 9  
Dr. Wolfgang Kabatzke  
File: Active-ECB-Termination.kicad\_pcb  
Sheet: 1/1  
Title: ECB-PropIO-Base  
Size: A4      Date:  
KiCad E.D.A.    pcbnew (2013-05-31 BZR 4019)-stable      Rev: R02  
Id: 1/1



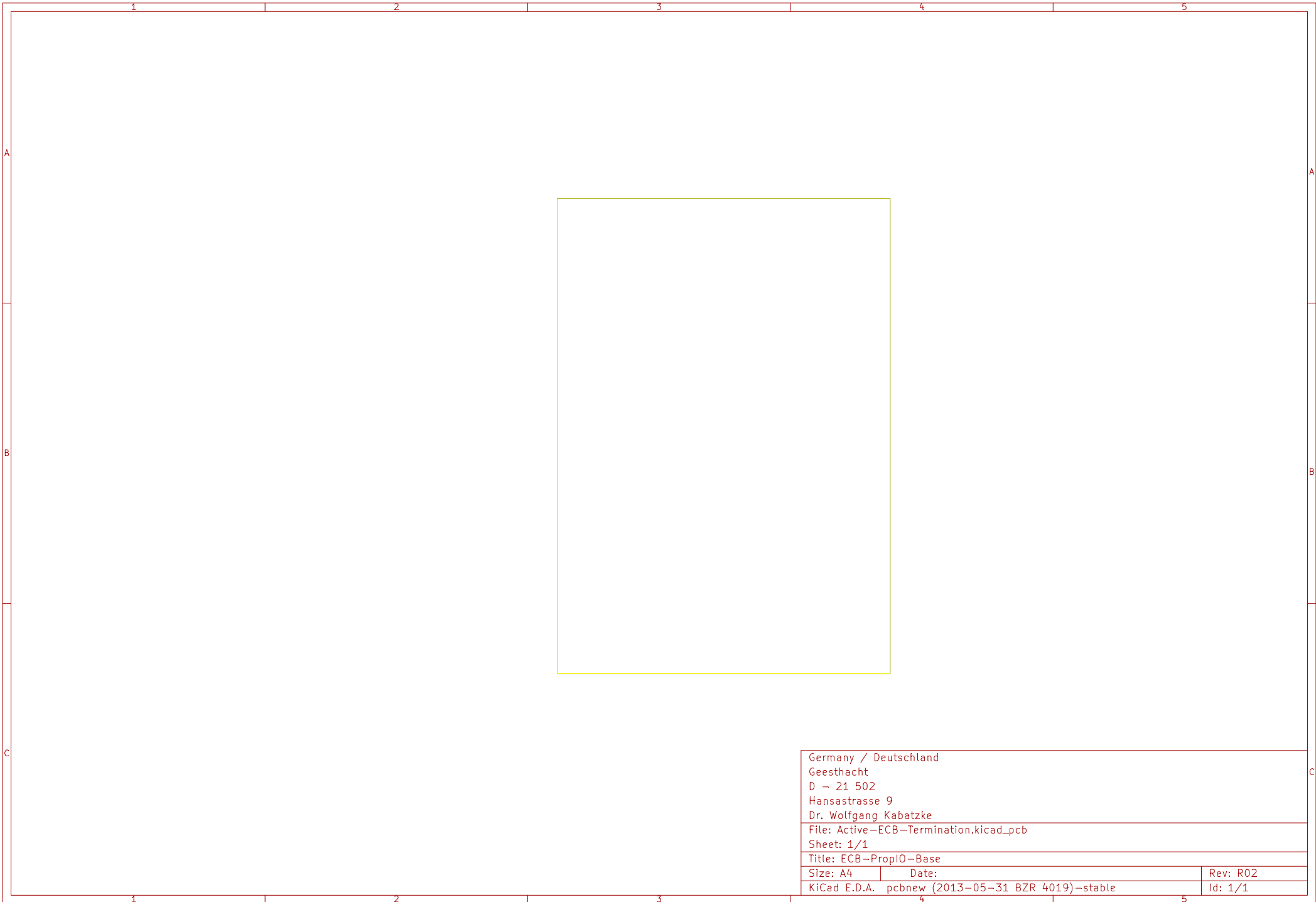
Germany / Deutschland		
Geesthacht		
D - 21 502		
Hansastraße 9		
Dr. Wolfgang Kabatzke		
File: Active-ECB-Termination.kicad_pcb		
Sheet: 1/1		
Title: ECB-PropIO-Base		
Size: A4	Date:	Rev: R02
KiCad E.D.A. pcbnew (2013-05-31 BZR 4019)-stable		Id: 1/1



Germany / Deutschland		
Geesthacht		
D - 21 502		
Hansastraße 9		
Dr. Wolfgang Kabatzke		
File: Active-ECB-Termination.kicad_pcb		
Sheet: 1/1		
Title: ECB-PropIO-Base		
Size: A4	Date:	Rev: R02
KiCad E.D.A. pcbnew (2013-05-31 BZR 4019)-stable		Id: 1/1

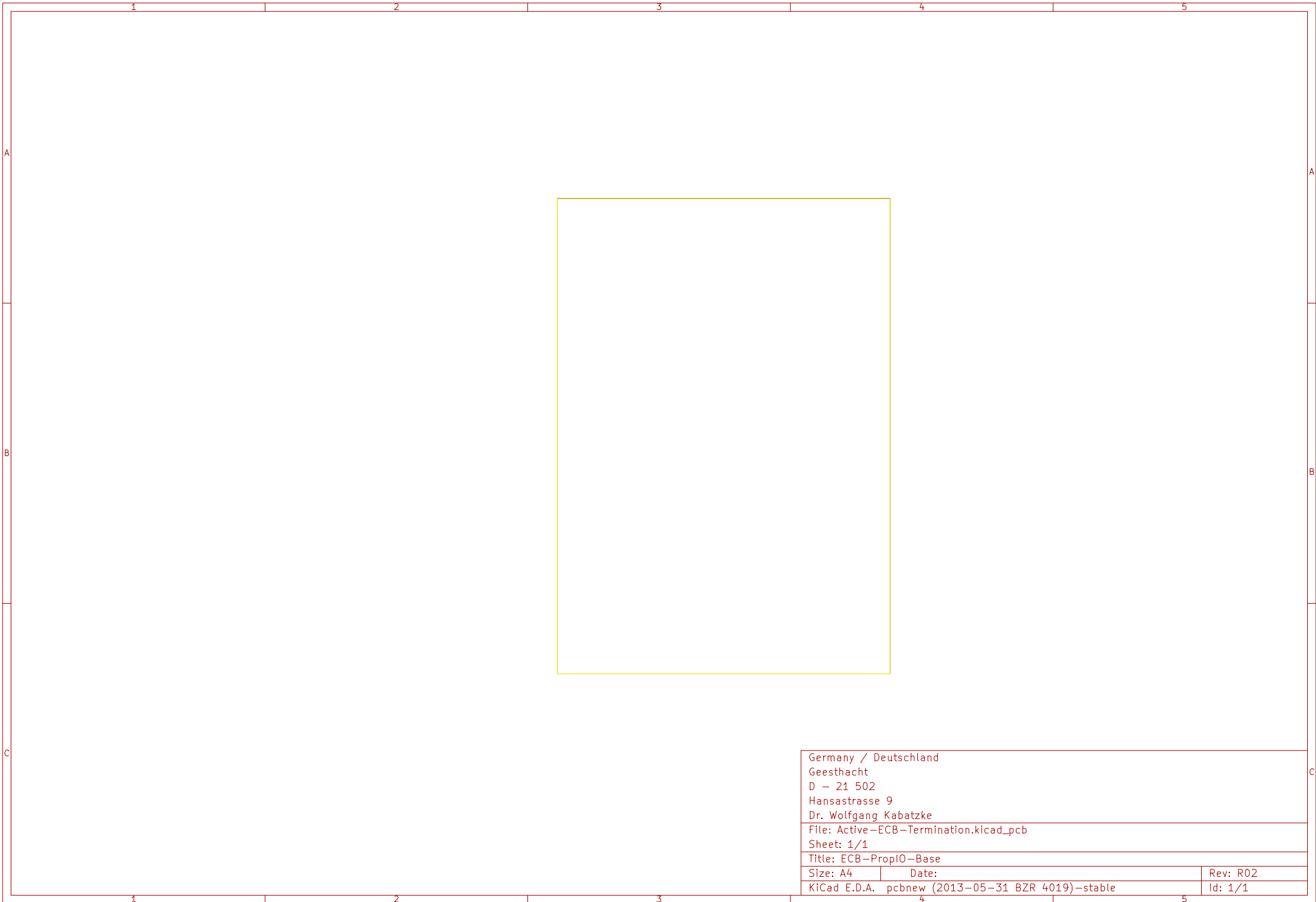


Germany / Deutschland		
Geesthacht		
D - 21 502		
Hansastrasse 9		
Dr. Wolfgang Kabatzke		
File: Active-ECB-Termination.kicad_pcb		
Sheet: 1/1		
Title: ECB-PropIO-Base		
Size: A4	Date:	Rev: R02
KiCad E.D.A.	pcbnew (2013-05-31 BZR 4019)-stable	Id: 1/1



Germany / Deutschland		
Geesthacht		
D - 21 502		
Hansastrasse 9		
Dr. Wolfgang Kabatzke		
File: Active-ECB-Termination.kicad_pcb		
Sheet: 1/1		
Title: ECB-PropIO-Base		
Size: A4	Date:	Rev: R02
KiCad E.D.A. pcbnew (2013-05-31 BZR 4019)-stable		Id: 1/1





Germany / Deutschland		
Geesthacht		
D - 21 502		
Hansastraße 9		
Dr. Wolfgang Kabatzke		
File: Active-ECB-Termination.kicad_pcb		
Sheet: 1/1		
Title: ECB-PropIO-Base		
Size: A4	Date:	
KiCad E.D.A.	pcbnew (2013-05-31 BZR 4019)-stable	Rev: R02
		Id: 1/1