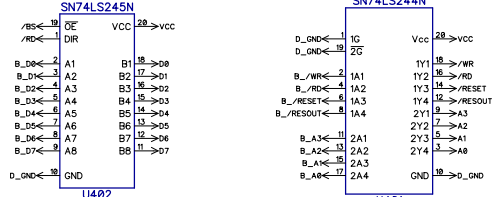
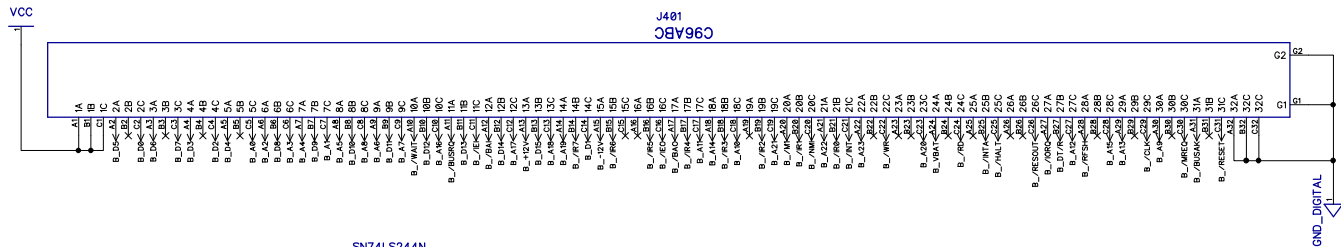


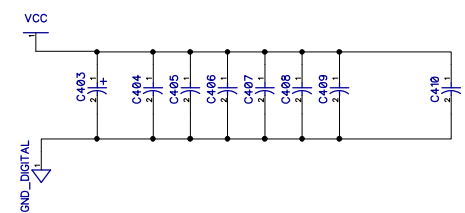
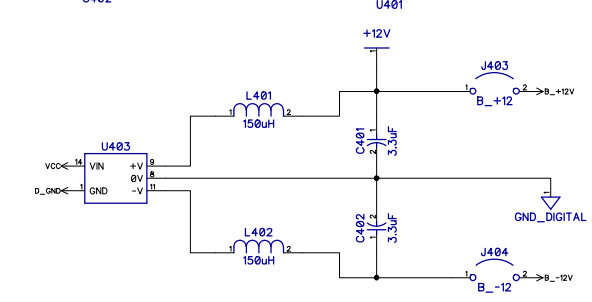
2

1

REVISIONS				
ZONE	REV	DESCRIPTION	DATE	APPROVED



RESET
 1-2 N8VEM reset (default)
 2-3 Kontron-compatible reset



2

1

N8VEM - Analog/Digital I/O Board			
Richard Cini 8/15/2014			
SIZE	FSCM NO.	DWG NO.	REV 0
SCALE		ECB Interface	

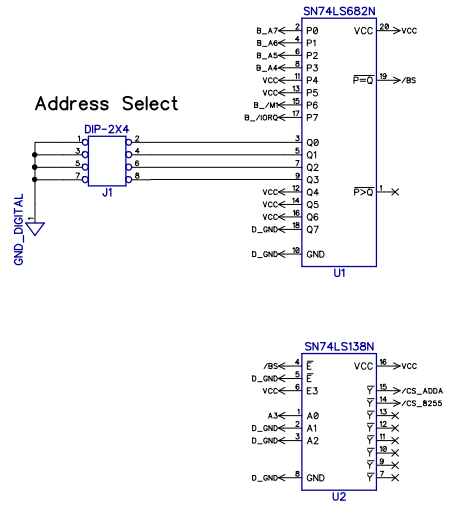
2

1

REVISIONS				
ZONE	REV	DESCRIPTION	DATE	APPROVED

B

B



A

A

2

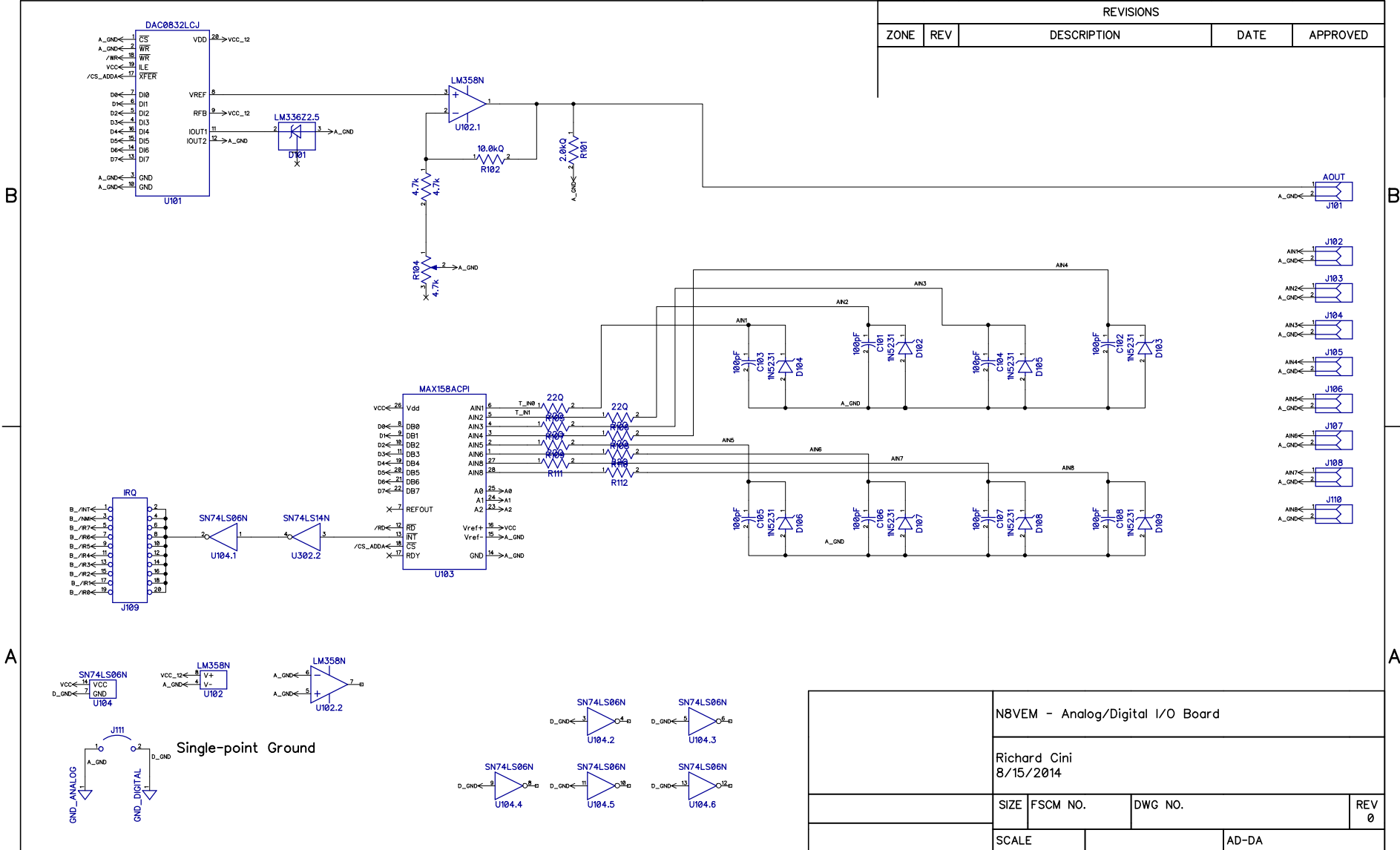
1

N8VEM - Analog/Digital I/O Board			
Richard Cini 8/15/2014			
SIZE	FSCM NO.	DWG NO.	REV 0
SCALE	Board Select		

2

1

REVISIONS				
ZONE	REV	DESCRIPTION	DATE	APPROVED



B

B

A

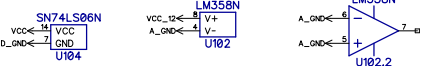
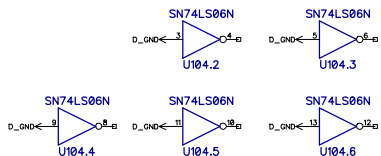
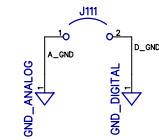
A

2

1

N8VEM - Analog/Digital I/O Board			
Richard Cini 8/15/2014			
SIZE	FSCM NO.	DWG NO.	REV 0
SCALE		AD-DA	

Single-point Ground



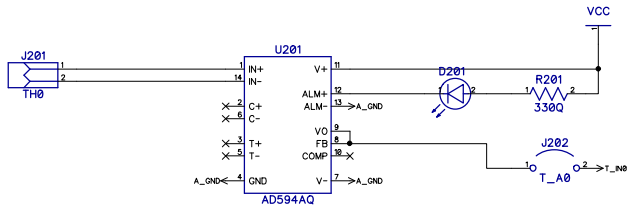
2

1

REVISIONS				
ZONE	REV	DESCRIPTION	DATE	APPROVED

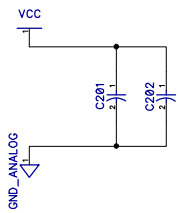
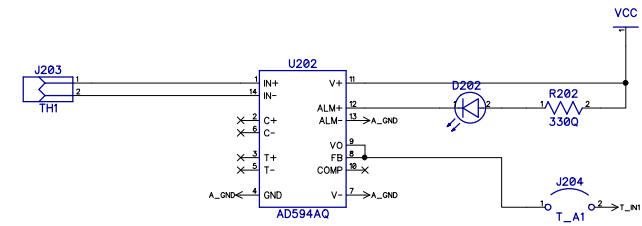
B

B



A

A



2

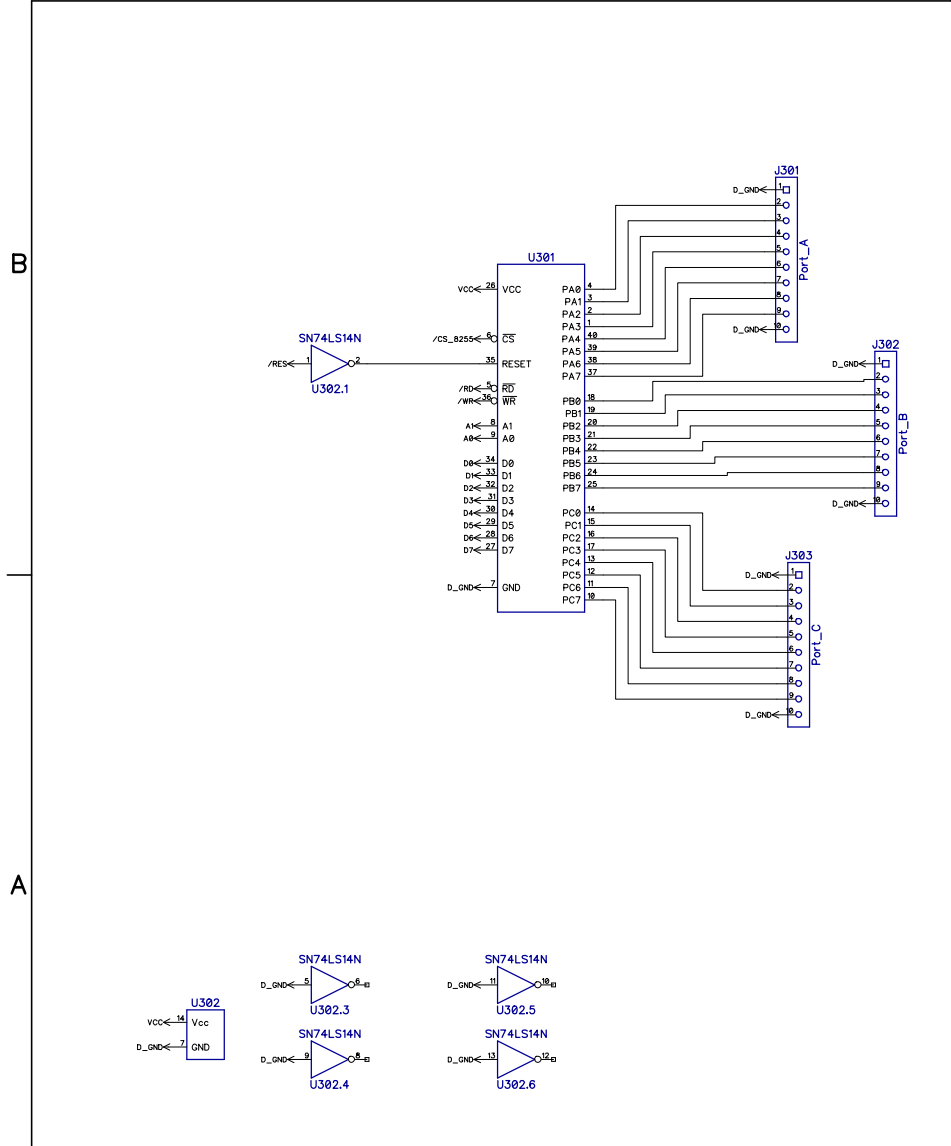
1

N8VEM - Analog/Digital I/O Board			
Richard Cini 8/15/2014			
SIZE	FSCM NO.	DWG NO.	REV 0
SCALE	Thermocouple Option		

2

1

REVISIONS				
ZONE	REV	DESCRIPTION	DATE	APPROVED



B

B

A

A

2

1

N8VEM - Analog/Digital I/O Board			
Richard Cini 8/15/2014			
SIZE	FSCM NO.	DWG NO.	REV 0
SCALE	PI0		