

note: need to label signal names from schematic

note: need to change IO port to something other than \$60-\$7F

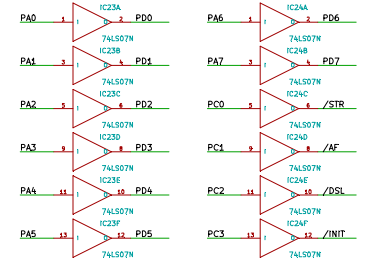
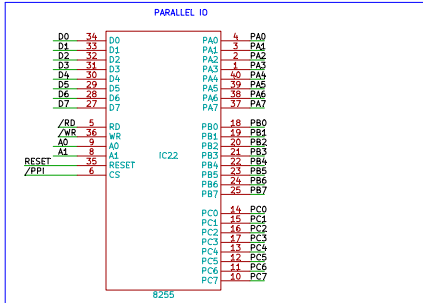
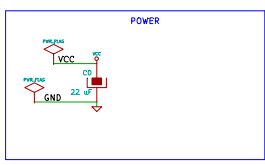
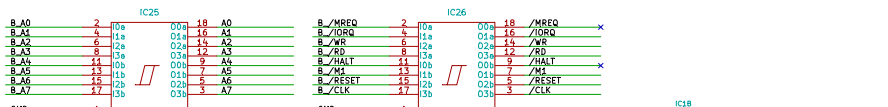
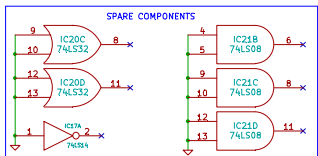
note: added Inverter to A7 to make IO port range \$F0-\$F3 rather than \$70-\$73

note: changed the 6845 data bus plus from output to 3 state

note: need RCA jack PCB footprint

note: Is LPEN (6845 pin 3) grounded?

note: Sharp MZ-700 CPU clock is 3.5MHz



ECB CONNECTOR		U0
*VCC	A4	1A
*VCC	C1	1C
*B_DS	A2	2A
*B_A00	B2	2B
*B_D0	C2	2C
*B_S6	B3	3A
*B_D7	C3	3C
*B_D3	D3	4A
*B_D4	A5	4C
*B_D2	B4	4B
*B_D5	D4	4C
*B_D6	C4	4C
*B_A22	B4	4B
*B_A23	B5	5B
*B_A24	C5	5C
*B_A2	A6	6A
*B_A3	B6	6B
*B_A4	C6	6C
*B_A5	D6	6C
*B_A7	A7	7A
*B_D9	B7	7B
*B_A1	C7	7C
*B_A6	D6	6C
*B_D10	B8	8A
*B_A8	C8	8C
*B_A9	D8	8C
*B_D11	B9	9B
*B_D12	B10	10B
*B_C10	C10	10C
*B_BUSRD11	A11	11A
*B_JR1	B11	11B
*B_D14	C11	11C
*B_D15	B12	12B
*B_D16	C12	12C
*B_D17	D12	12C
*B_D18	A13	13A
*B_D19	B13	13B
*B_D20	C13	13C
*B_A4	D13	13C
*B_IRQ2	B14	14B
*B_A5	C14	14C
*B_A6	D14	14C
*B_IRQ3	B15	15B
*B_A7	C15	15C
*B_A8	D15	15C
*B_IRQ4	B16	16B
*B_A9	C16	16C
*B_A10	D16	16C
*B_A11	A17	17A
*B_A12	B17	17B
*B_A13	C17	17C
*B_A14	D17	17C
*B_A15	A18	18A
*B_A16	B18	18B
*B_A17	C18	18C
*B_A18	D18	18C
*B_A19	A19	19A
*B_IRQ5	B19	19B
*B_A20	C19	19C
*B_A21	D19	19C
*B_IRQ6	B20	20B
*B_A22	C20	20C
*B_A23	D20	20C
*B_JR1	A21	21A
*B_A24	B21	21B
*B_A25	C21	21C
*B_A26	D21	21C
*B_IRQ7	B22	22B
*B_A27	C22	22C
*B_A28	D22	22C
*B_IRQ8	B23	23B
*B_A29	C23	23C
*B_A30	D23	23C
*B_IRQ9	B24	24B
*B_A31	C24	24C
*B_A32	D24	24C
*B_IRQ10	B25	25B
*B_A33	C25	25C
*B_A34	D25	25C
*B_A35	A26	26A
*B_A36	B26	26B
*B_A37	C26	26C
*B_A38	D26	26C
*B_IRQ11	B27	27B
*B_A39	C27	27C
*B_A40	D27	27C
*B_IRQ12	B28	28B
*B_A41	C28	28C
*B_A42	D28	28C
*B_A43	A29	29A
*B_A44	B29	29B
*B_A45	C29	29C
*B_A46	D29	29C
*B_A47	A30	30A
*B_A48	B30	30B
*B_A49	C30	30C
*B_A50	D30	30C
*B_BUSA51	A31	31A
*B_BUSA52	B31	31B
*B_BUSA53	C31	31C
*B_BUSA54	D31	31C
*B_RESET	A32	32A
*GND	A33	32B
*GND	A34	32C
*GND	A35	32C