

Sheet: CPU_80C188

2

File: CPU_80C188.sch

Sheet: ECBbus

3

File: ECBbus.sch

Sheet: BUSdrive

6

File: BUSdrive.sch

Sheet: Memory

4

File: Memory.sch

Sheet: Floppy

5

and PERIPHERAL
SELECT

File: Floppy.sch

Sheet: UART_RTC

7

File: UART_RTC.sch

Sheet: IDE_1_2

8

and INTERRUPT
SHARING

File: IDE_1_2.sch

Copyright (c) 2020 John R Coffman. All rights reserved.
Licensed for hobbyist use only.

RetroBrew Computer Group

Sheet: /
File: SBC-188v3.sch

Title: SBC-188 version 3

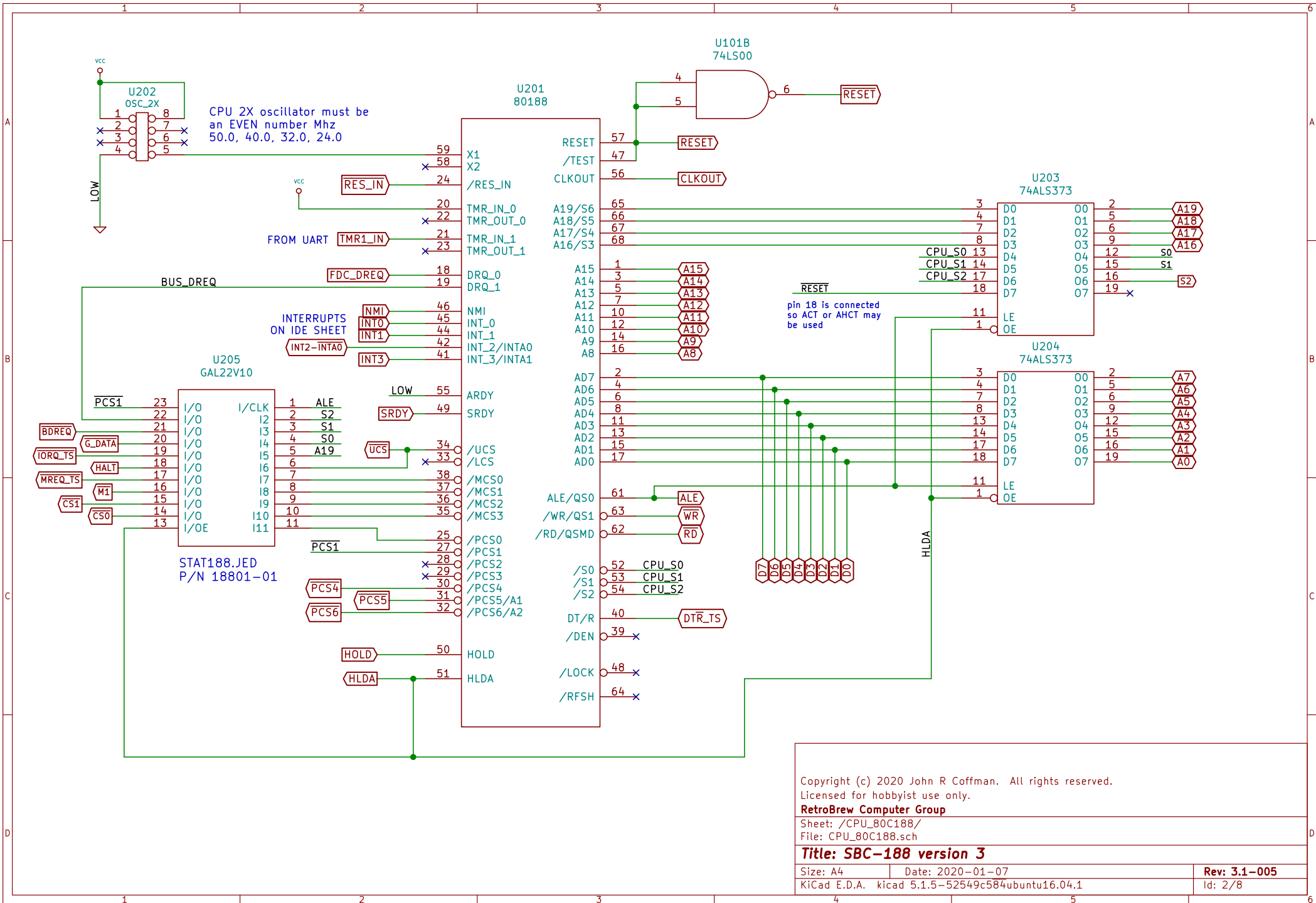
Size: A4

Date: 2020-02-20

Rev: 3.1-005

KiCad E.D.A. kicad 5.1.5-52549c584ubuntu16.04.1

Id: 1/8



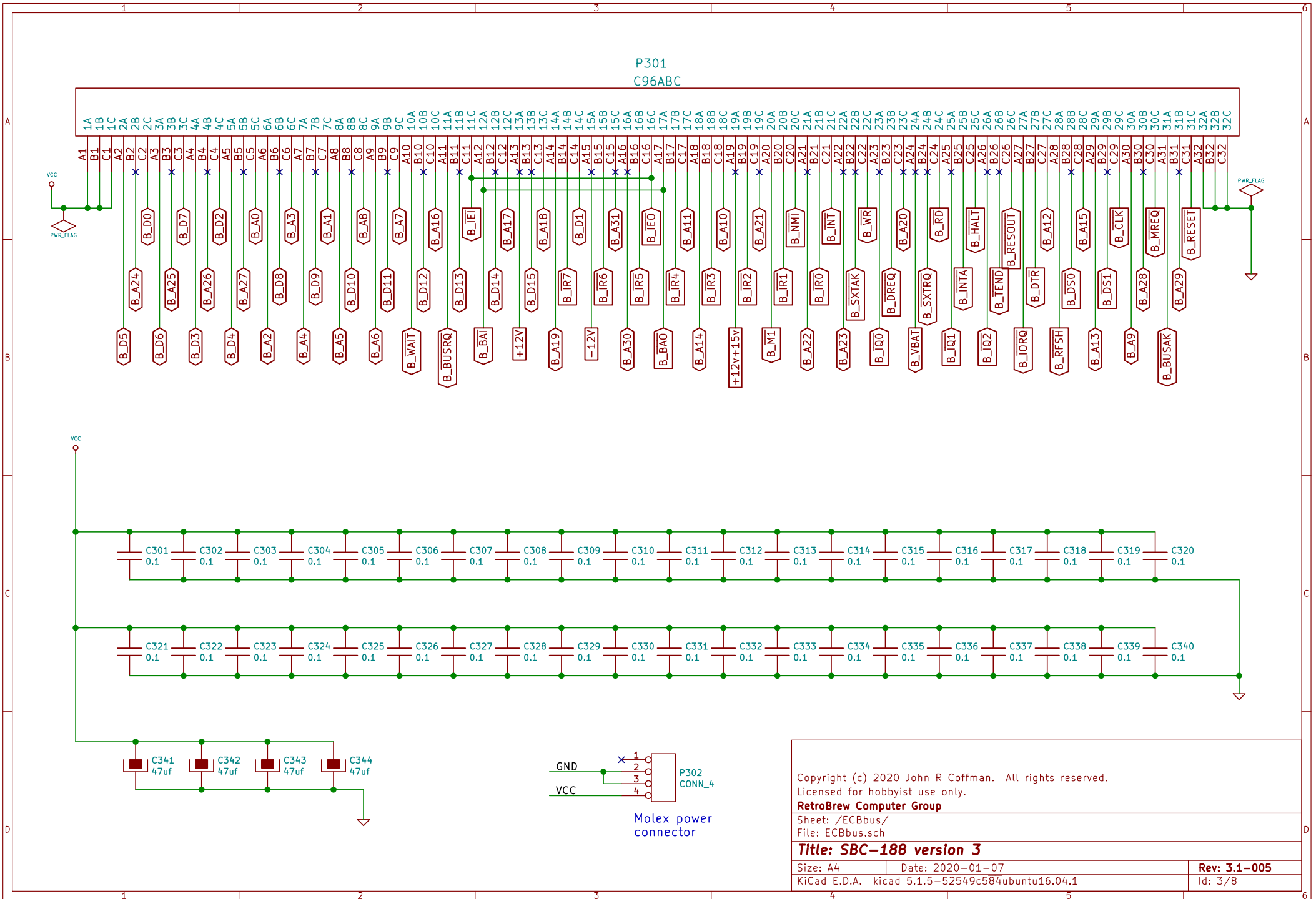
Copyright (c) 2020 John R Coffman. All rights reserved.
Licensed for hobbyist use only.

RetroBrew Computer Group

Sheet: /CPU_80C188/
File: CPU_80C188.sch

Title: SBC-188 version 3

Size: A4	Date: 2020-01-07	Rev: 3.1-005
KiCad E.D.A. kicad 5.1.5-52549c584ubuntu16.04.1		Id: 2/8



Copyright (c) 2020 John R Coffman. All rights reserved.
 Licensed for hobbyist use only.

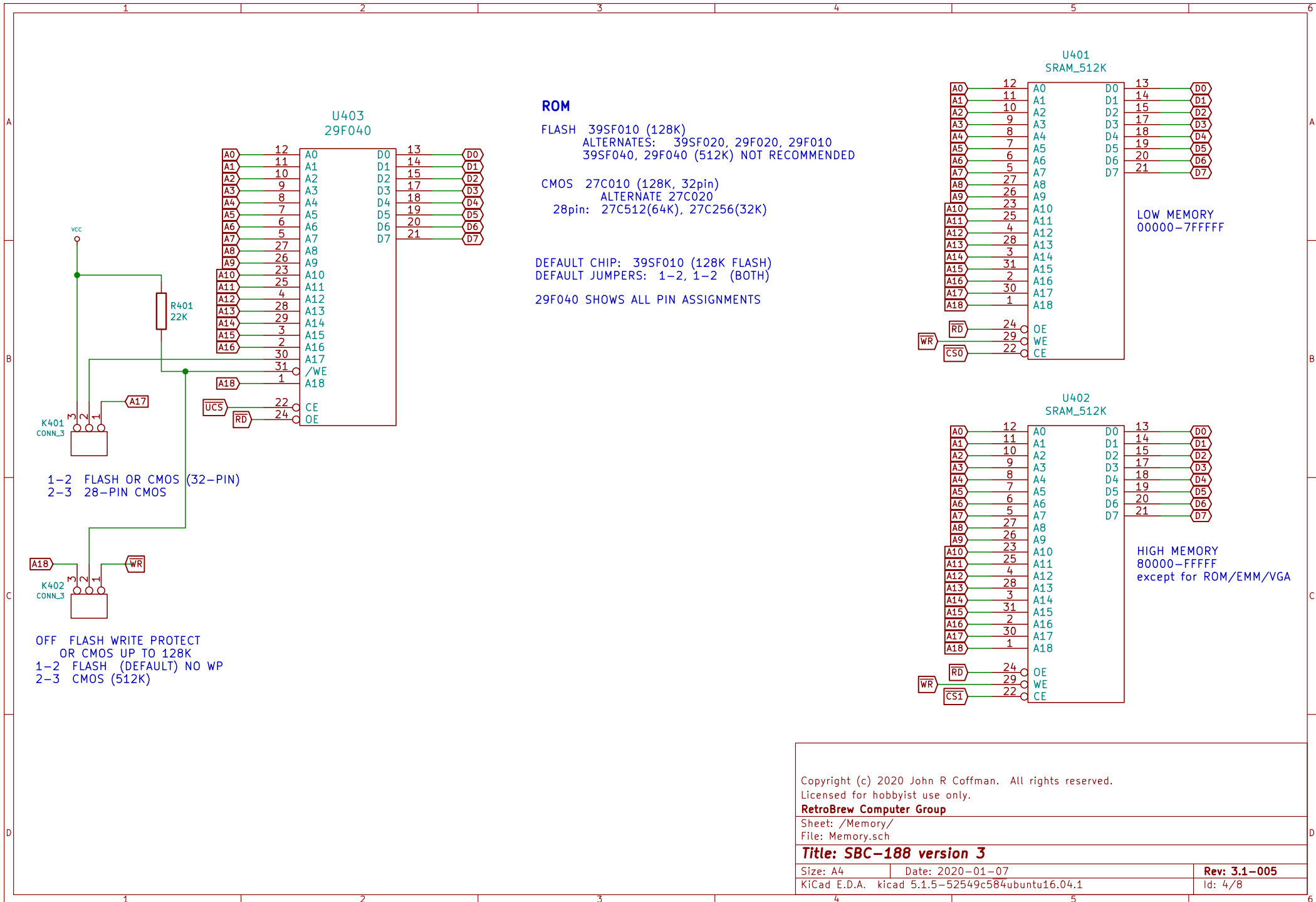
RetroBrew Computer Group

Sheet: /ECBbus/
 File: ECBbus.sch

Title: SBC-188 version 3

Size: A4 Date: 2020-01-07
 KiCad E.D.A. kicad 5.1.5-52549c584ubuntu16.04.1

Rev: 3.1-005
 Id: 3/8



Copyright (c) 2020 John R Coffman. All rights reserved.
 Licensed for hobbyist use only.

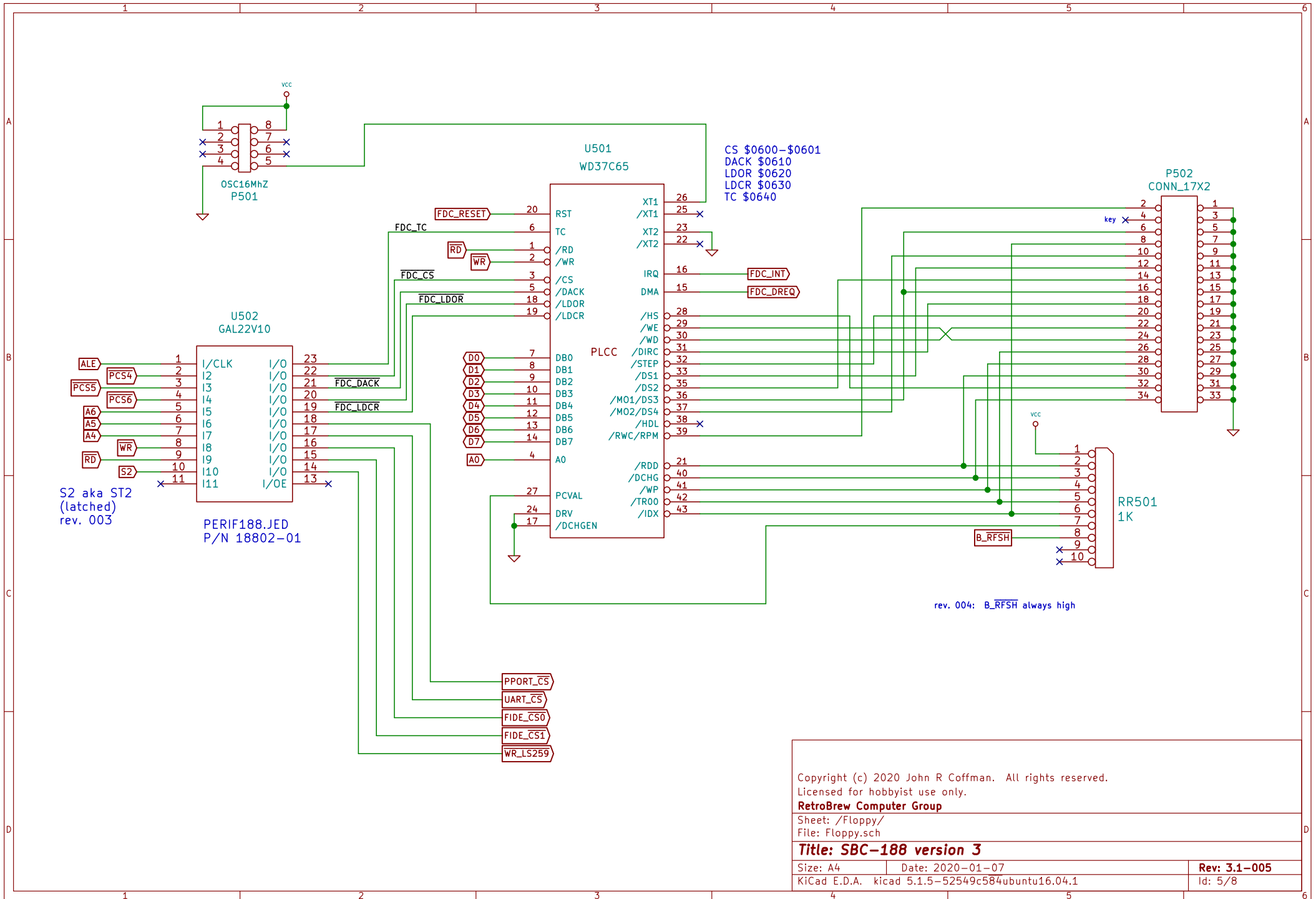
RetroBrew Computer Group

Sheet: /Memory/
 File: Memory.sch

Title: SBC-188 version 3

Size: A4 Date: 2020-01-07
 KiCad E.D.A. kicad 5.1.5-52549c584ubuntu16.04.1

Rev: 3.1-005
 Id: 4/8



Copyright (c) 2020 John R Coffman. All rights reserved.
 Licensed for hobbyist use only.

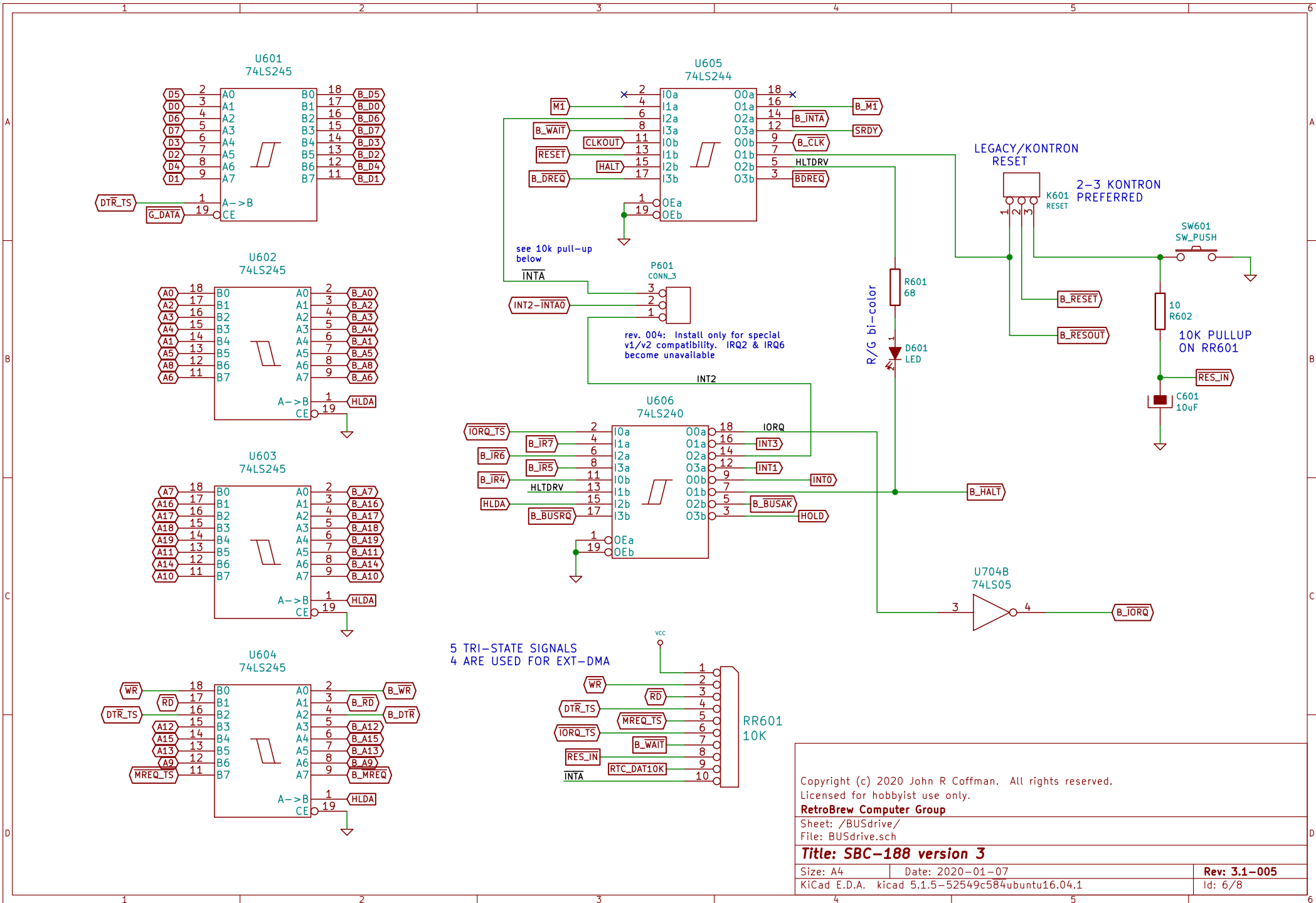
RetroBrew Computer Group

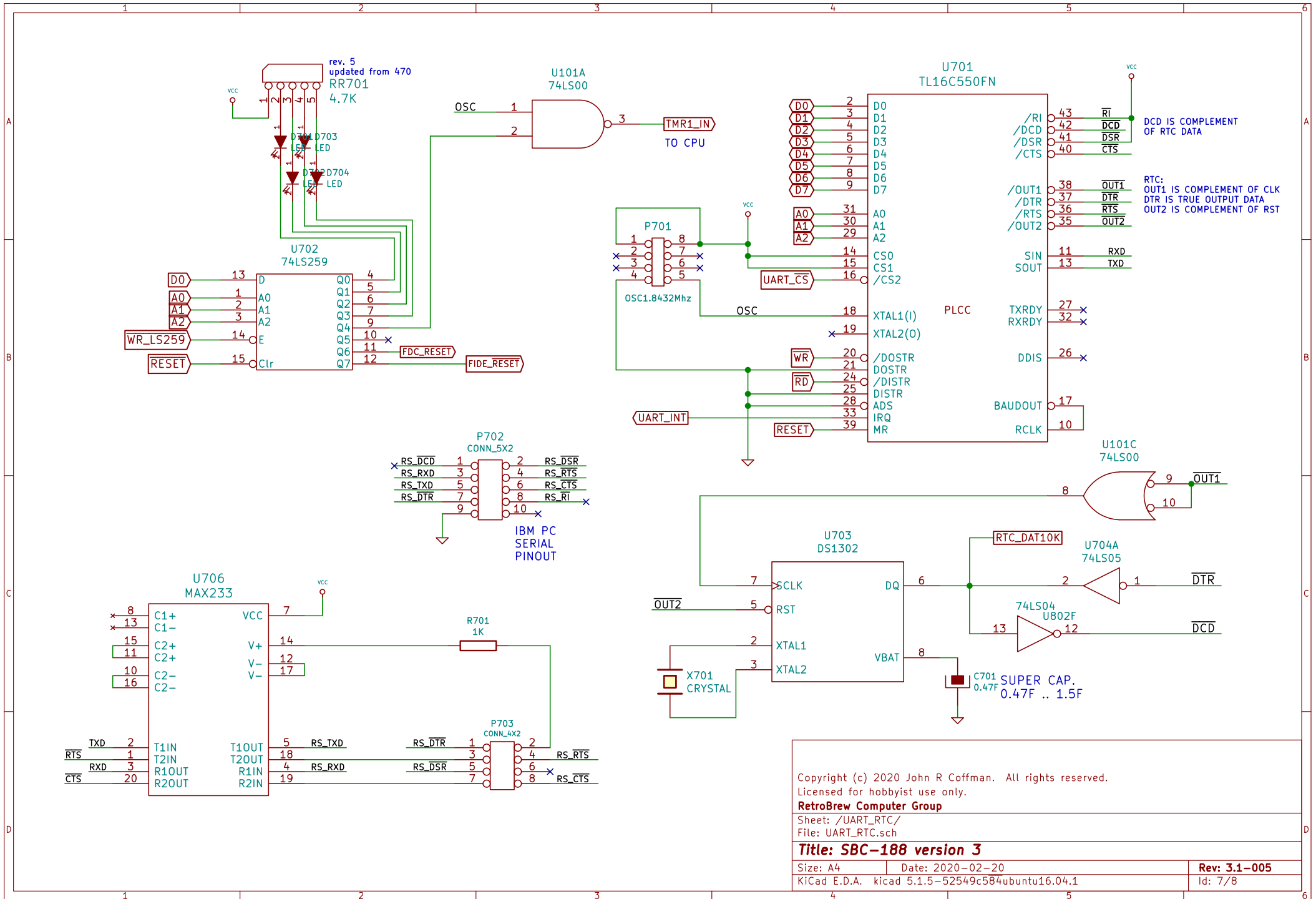
Sheet: /Floppy/
 File: Floppy.sch

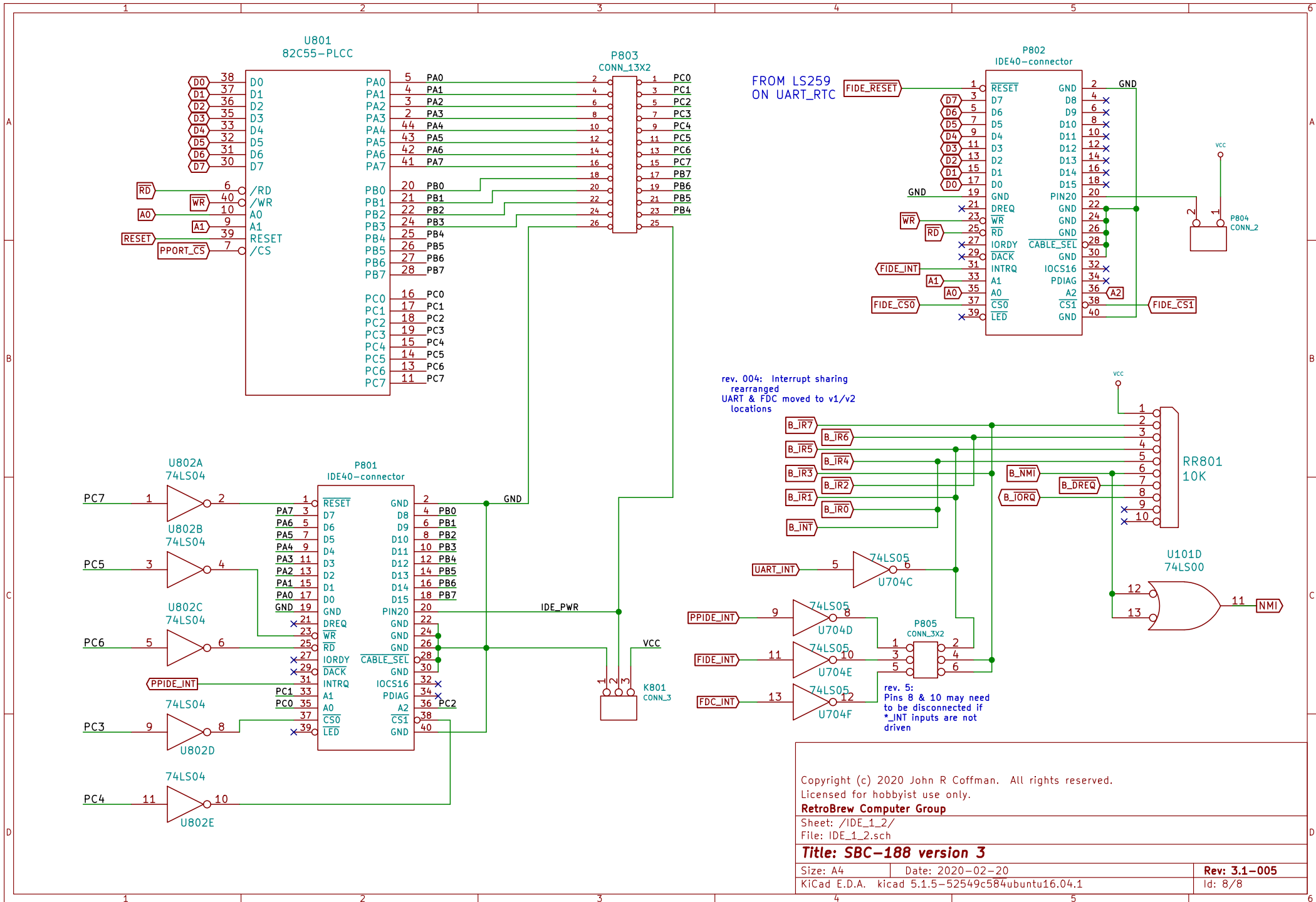
Title: SBC-188 version 3

Size: A4
 KiCad E.D.A. kicad 5.1.5-52549c584ubuntu16.04.1

Date: 2020-01-07
 Rev: 3.1-005
 Id: 5/8







Copyright (c) 2020 John R Coffman. All rights reserved.
 Licensed for hobbyist use only.

RetroBrew Computer Group

Sheet: /IDE_1_2/
 File: IDE_1_2.sch

Title: SBC-188 version 3

Size: A4 | Date: 2020-02-20
 KiCad E.D.A. kicad 5.1.5-52549c584ubuntu16.04.1

Rev: 3.1-005
 Id: 8/8