

CPU386EX



CPU386EX.sch

Static RAM



Static_RAM.sch

UART-SIO



UART-SIO.sch

RTC_LITES



RTC_LITES.sch

ECBdrivers



ECBdrivers.sch

ECBbus



ECBbus.sch

Oscillators



Oscillators.sch

DRAM



DRAM.sch

SDcard

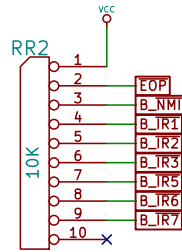
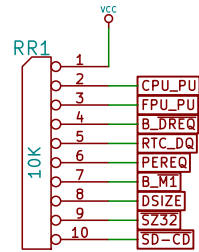


SDcard.sch

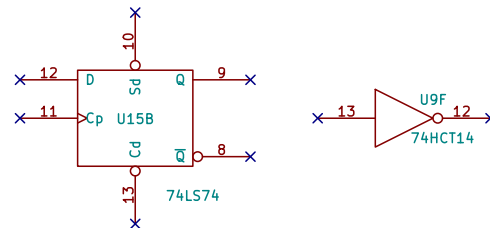
bus-IDE



bus-IDE.sch



SPARES:



Copyright (C) 2017 John R Coffman. All rights reserved.
Licensed for hobbyist use only.

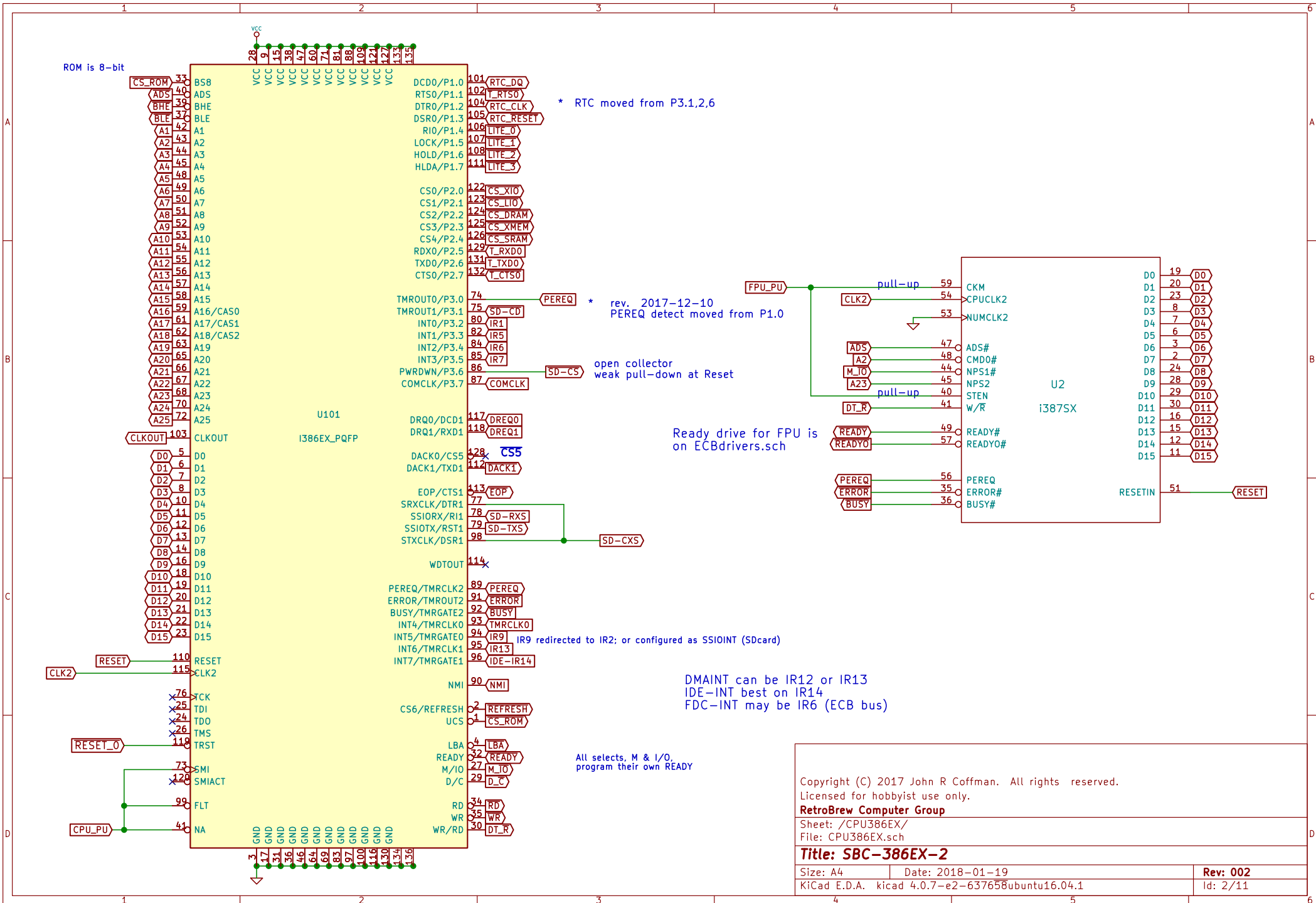
RetroBrew Computer Group

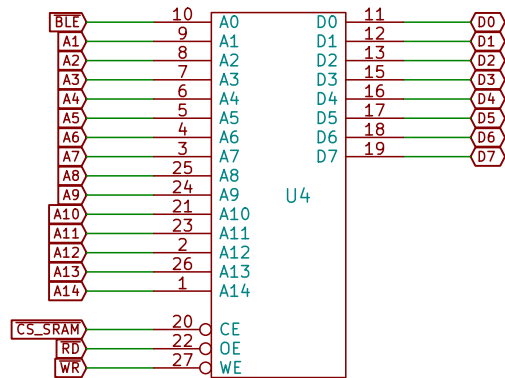
Sheet: /
File: SBC-386EX-2.sch

Title: SBC-386EX-2

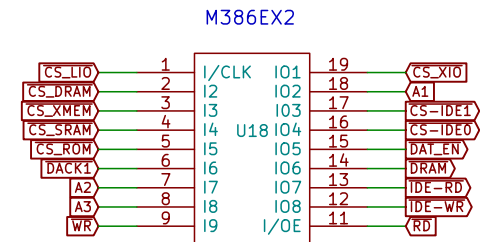
Size: A4 Date: 2018-01-19
KiCad E.D.A. kicad 4.0.7-e2-637658ubuntu16.04.1

Rev: 002
Id: 1/11

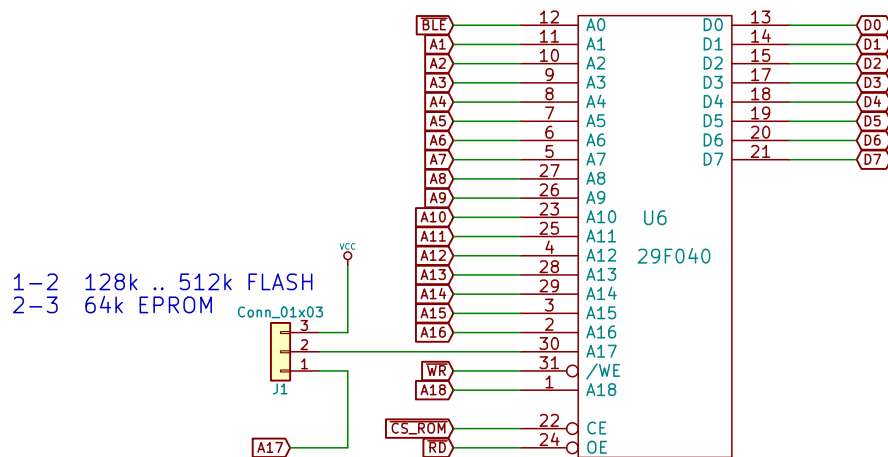




SRAM-32K



GAL16V8



Copyright (C) 2017 John R Coffman. All rights reserved.
Licensed for hobbyist use only.

RetroBrew Computer Group

Sheet: /Static_RAM/

File: Static_RAM.sch

Title: SBC-386EX-2

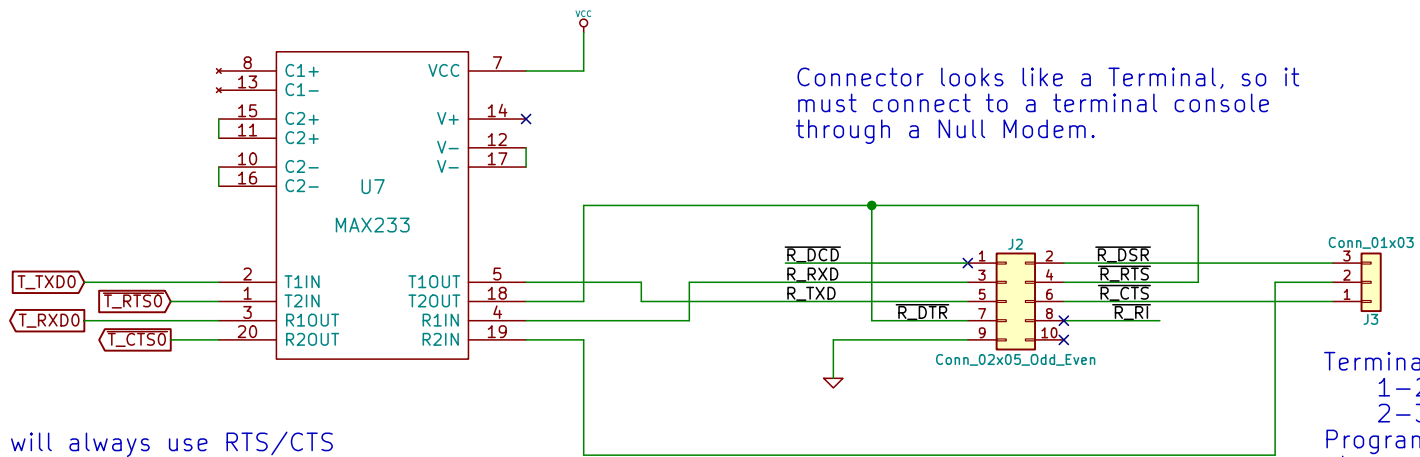
Size: A4

Date: 2018-01-19

Rev: 002

KiCad E.D.A. kicad 4.0.7-e2-637658ubuntu16.04.1

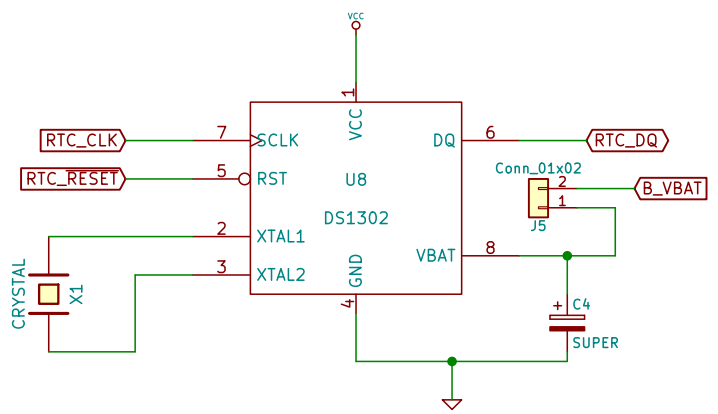
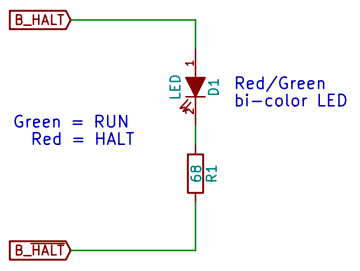
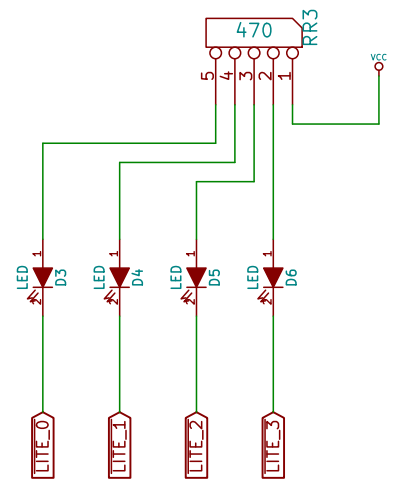
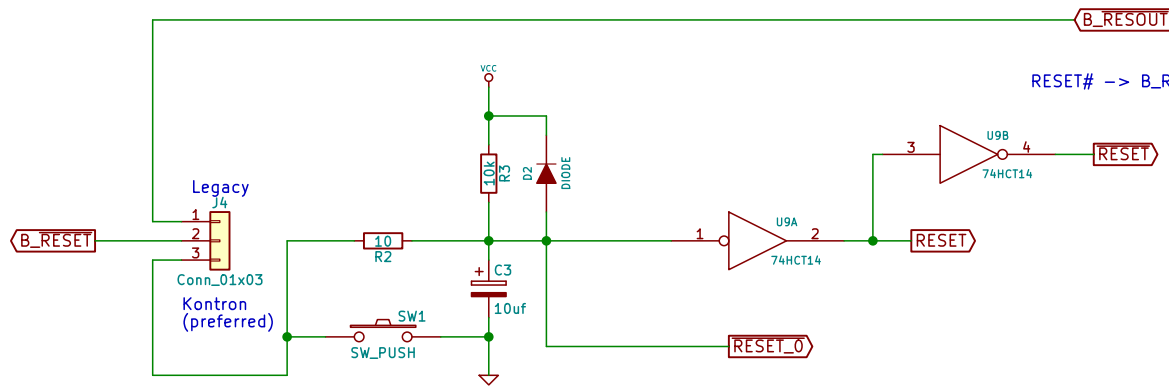
Id: 3/11



Connector looks like a Terminal, so it must connect to a terminal console through a Null Modem.

Programming will always use RTS/CTS protocol, despite J2 selection of the actual Terminal protocol

Terminal protocol selection:
 1-2 RTS/CTS
 2-3 DTR/DSR
 Programming protocol is always RTS/CTS



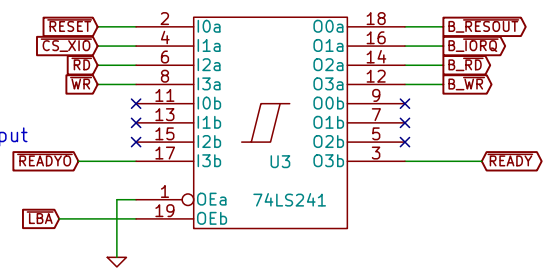
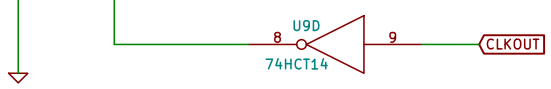
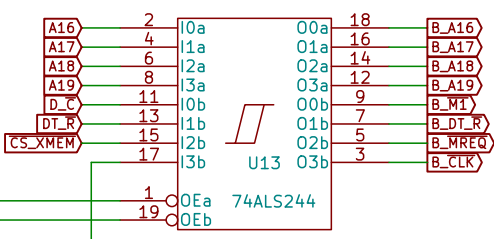
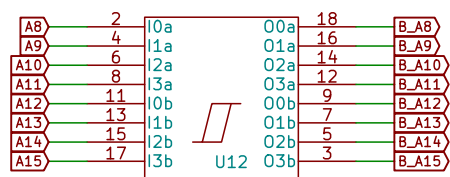
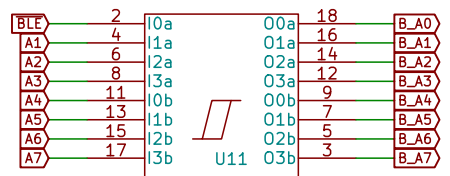
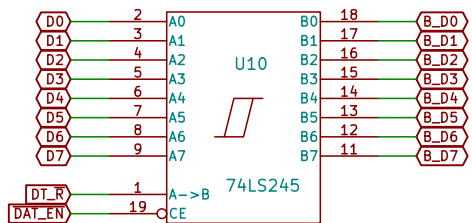
Copyright (C) 2017 John R Coffman. All rights reserved.
Licensed for hobbyist use only.

RetroBrew Computer Group

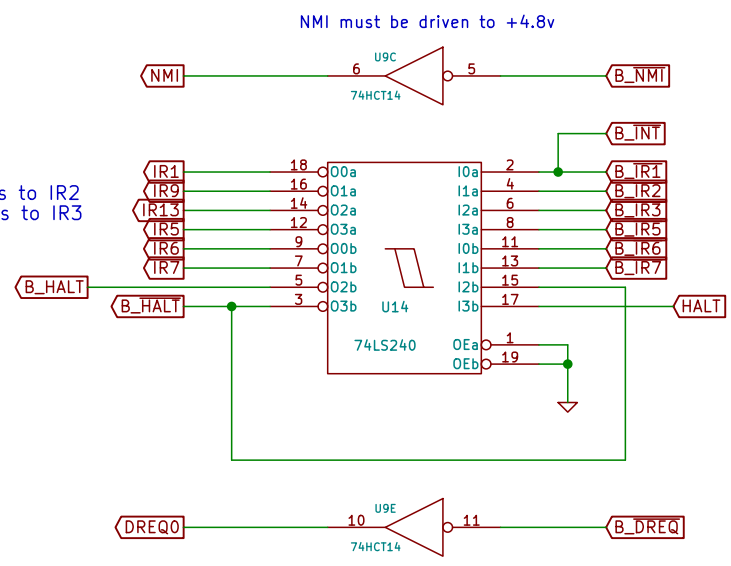
Sheet: /RTC_LITES/
File: RTC_LITES.sch

Title: SBC-386EX-2

Size: A4	Date: 2018-01-19	Rev: 002
KiCad E.D.A. kicad 4.0.7-e2-637658ubuntu16.04.1		Id: 5/11



IR9 redirects to IR2
IR13 redirects to IR3



NMI must be driven to +4.8v

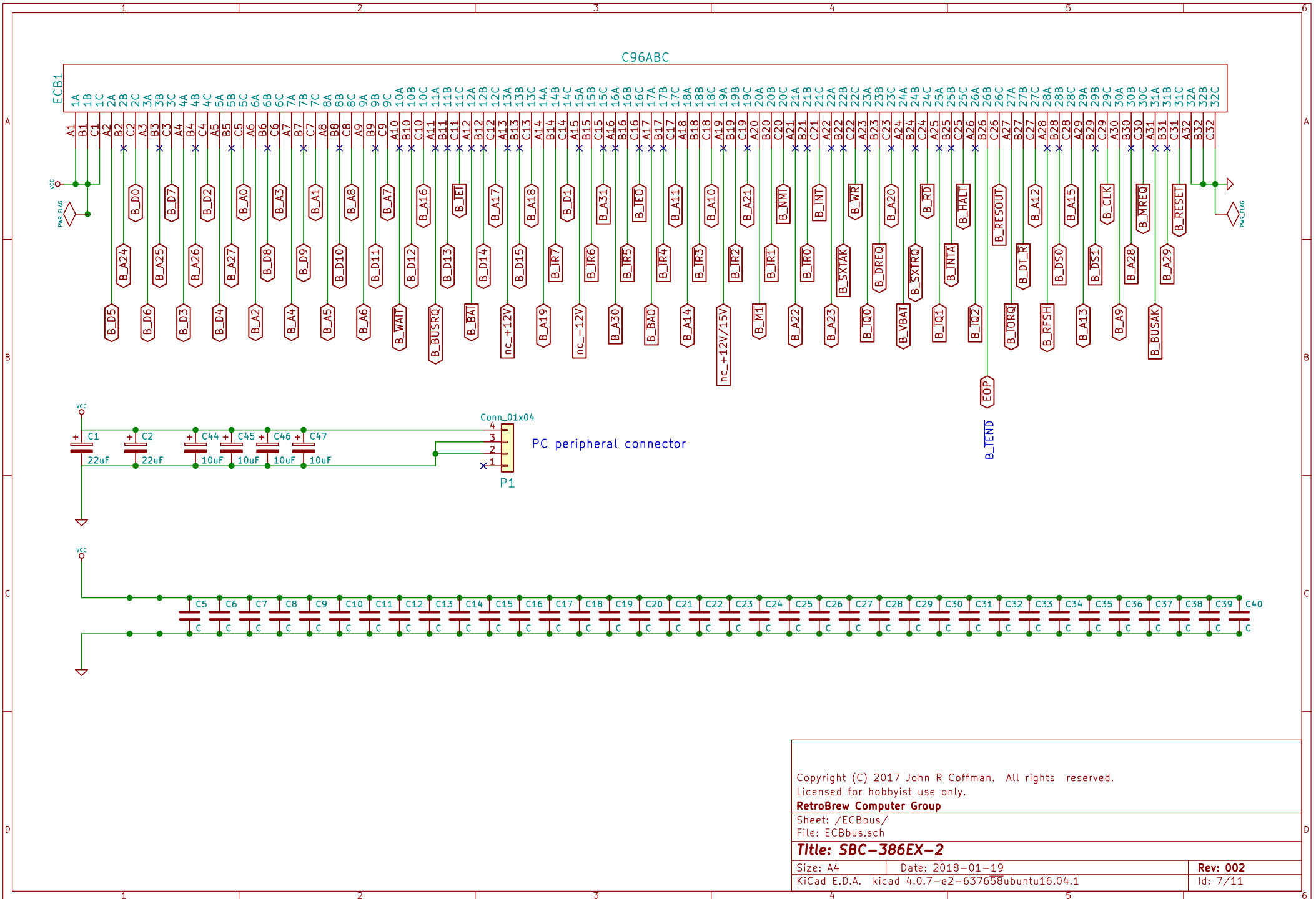
Copyright (C) 2017 John R Coffman. All rights reserved.
Licensed for hobbyist use only.

RetroBrew Computer Group

Sheet: /ECBdrivers/
File: ECBdrivers.sch

Title: SBC-386EX-2

Size: A4	Date: 2018-01-19	Rev: 002
KiCad E.D.A. kicad 4.0.7-e2-637658ubuntu16.04.1		Id: 6/11



Copyright (C) 2017 John R Coffman. All rights reserved.
 Licensed for hobbyist use only.

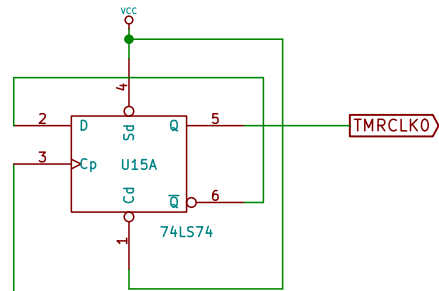
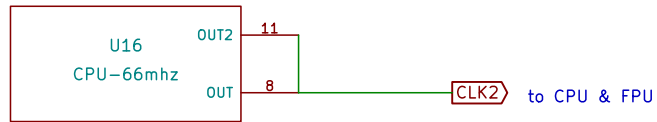
RetroBrew Computer Group

Sheet: /ECBbus/
 File: ECBbus.sch

Title: SBC-386EX-2

Size: A4 | Date: 2018-01-19
 KiCad E.D.A. kicad 4.0.7-e2-637658ubuntu16.04.1

Rev: 002
 Id: 7/11



Copyright (C) 2017 John R Coffman. All rights reserved.
 Licensed for hobbyist use only.

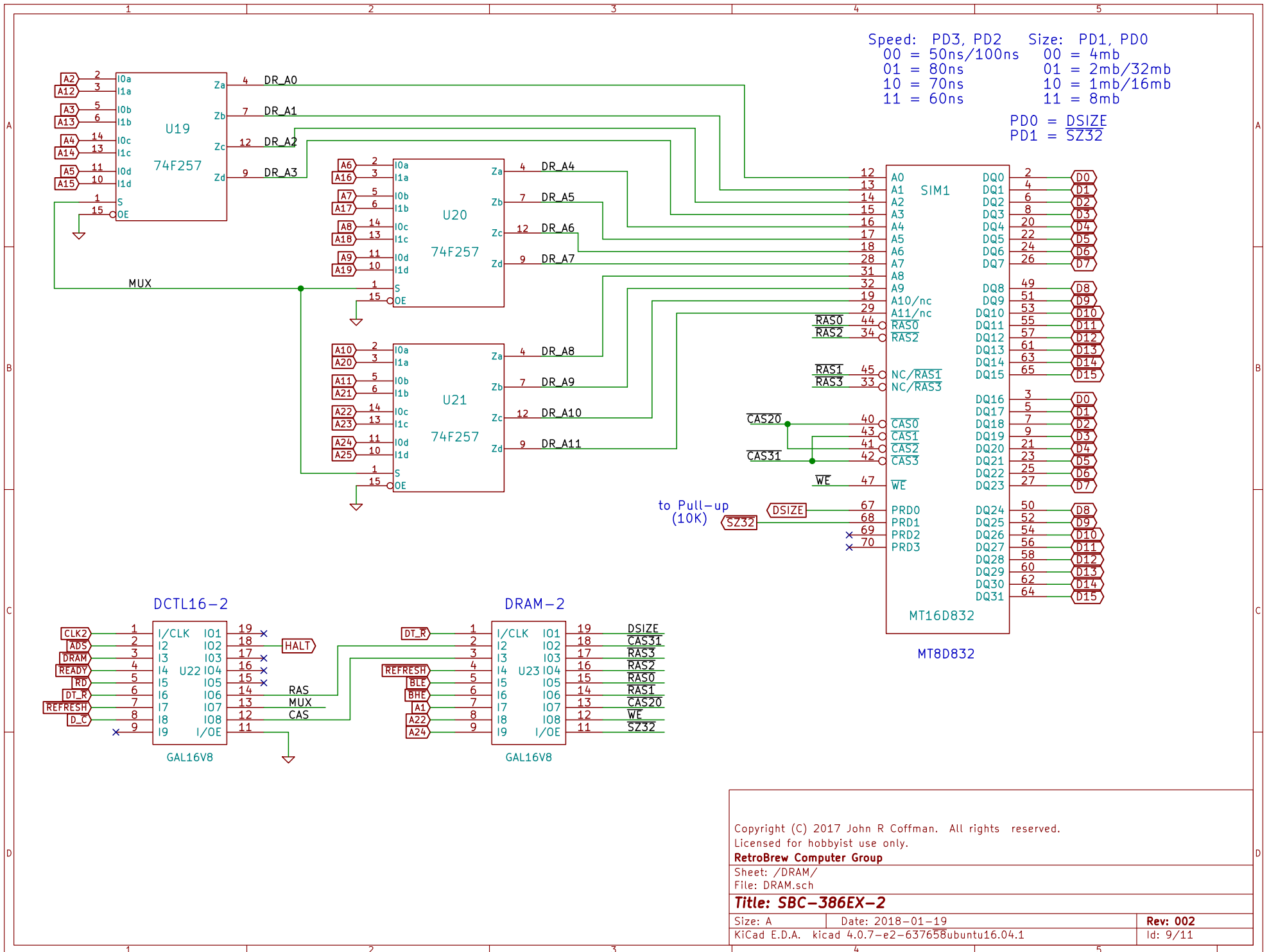
RetroBrew Computer Group

Sheet: /Oscillators/
 File: Oscillators.sch

Title: SBC-386EX-2

Size: A4 Date: 2018-01-19
 KiCad E.D.A. kicad 4.0.7-e2-637658ubuntu16.04.1

Rev: 002
 Id: 8/11



Copyright (C) 2017 John R Coffman. All rights reserved.
 Licensed for hobbyist use only.

RetroBrew Computer Group

Sheet: /DRAM/
 File: DRAM.sch

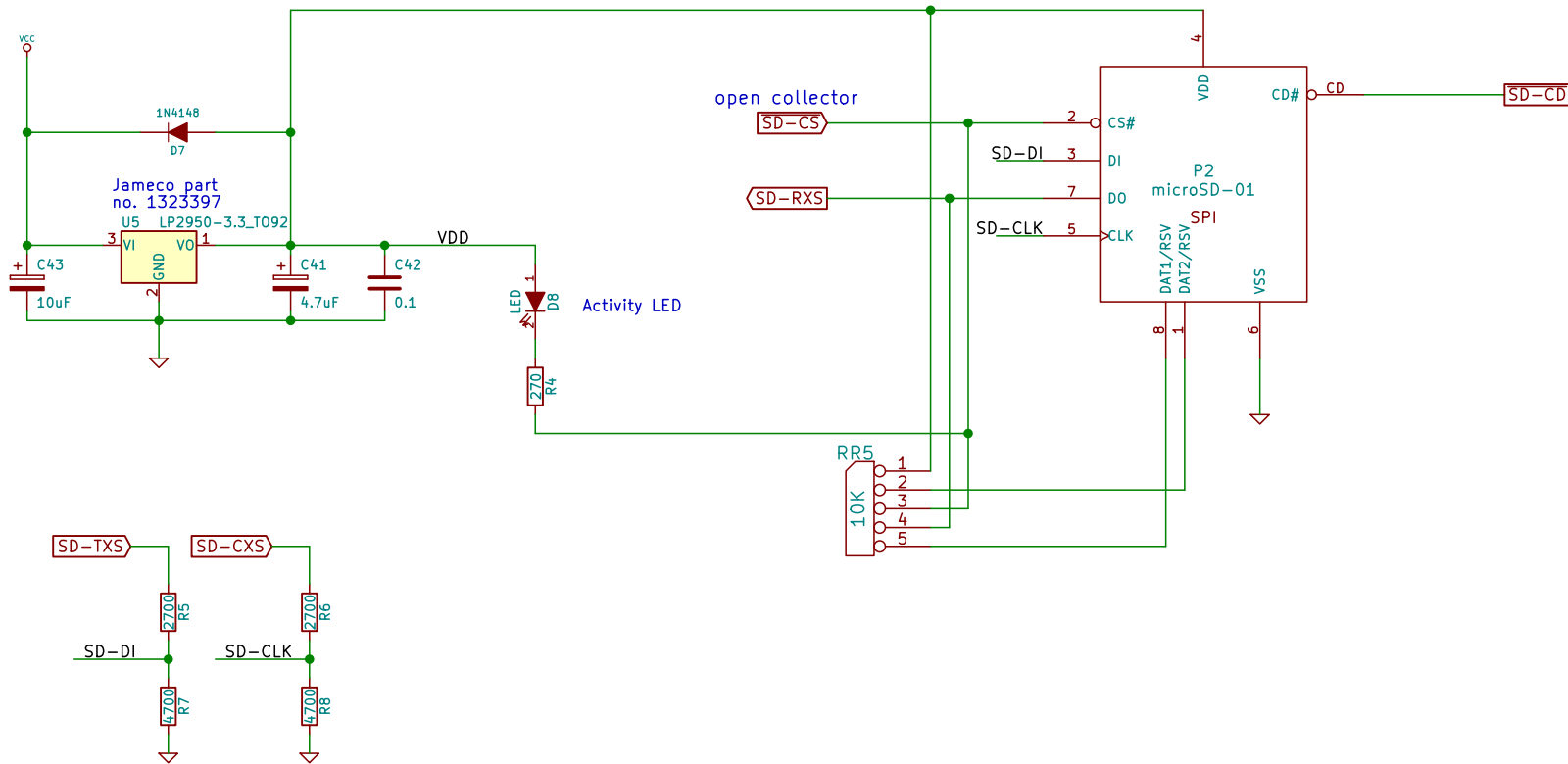
Title: SBC-386EX-2

Size: A Date: 2018-01-19

KiCad E.D.A. kicad 4.0.7-e2-637658ubuntu16.04.1

Rev: 002

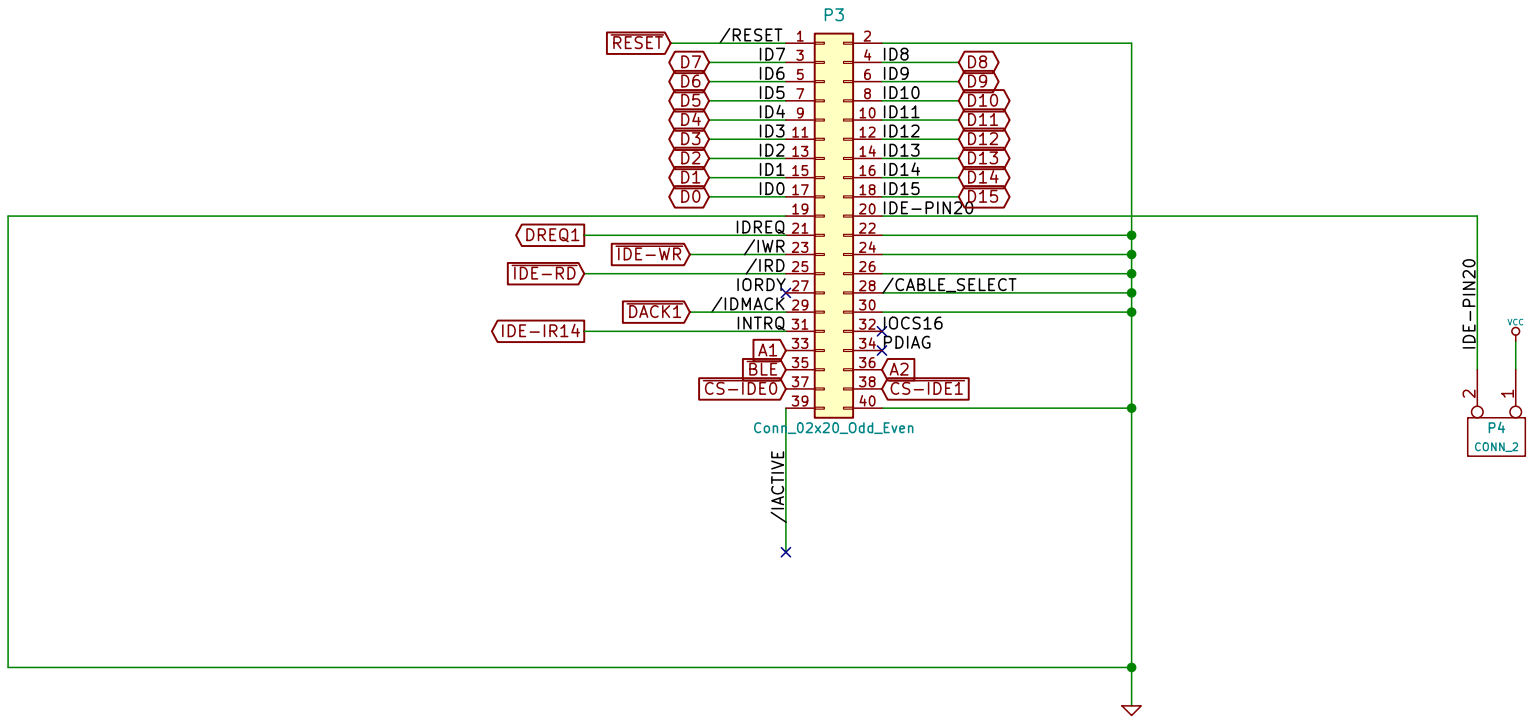
Id: 9/11



VOLTAGE DIVIDER:
 2700/4700 or 3000/5600
 5% TOLERANCE (GOLD BAND)

Copyright (C) 2017 John R Coffman. All rights reserved. Licensed for hobbyist use only.	
RetroBrew Computer Group	
Sheet: /SDcard/ File: SDcard.sch	
Title: SBC-386EX-2	
Size: A4	Date: 2018-01-19
KiCad E.D.A. kicad 4.0.7-e2-637658ubuntu16.04.1	Rev: 002 Id: 10/11

IDE connector supports 8-bit data transfers only
 This is good for CF cards, but not most Hard Disk drives



Copyright (C) 2017 John R Coffman. All rights reserved.
 Licensed for hobbyist use only.

RetroBrew Computer Group

Sheet: /bus-IDE/
 File: bus-IDE.sch

Title: SBC-386EX-2

Size: A4 Date: 2018-01-19
 KiCad E.D.A. kicad 4.0.7-e2-637658ubuntu16.04.1

Rev: 002
 Id: 11/11