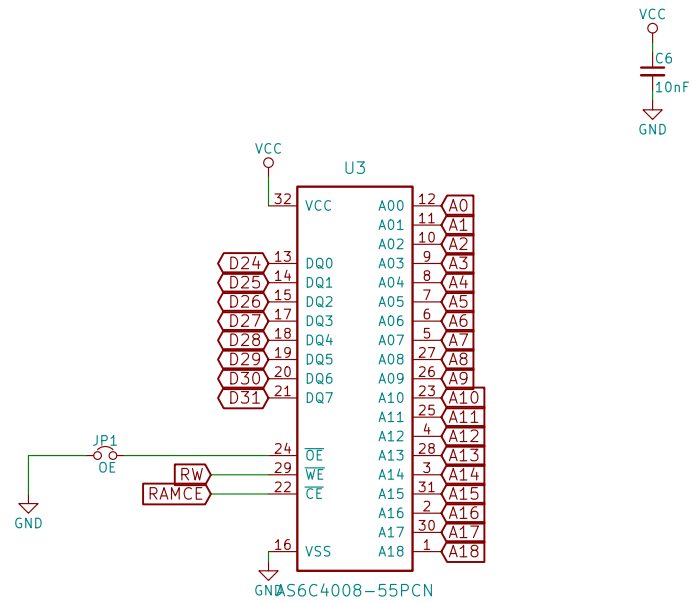


(c)2017 Tobias Rathje
 Sheet: /
 File: T030.sch
Title: T030 mk.II
 Size: A4 Date: 2017-04-26 Rev: 2.0
 KiCad E.D.A. kicad 4.0.7 Id: 1/8



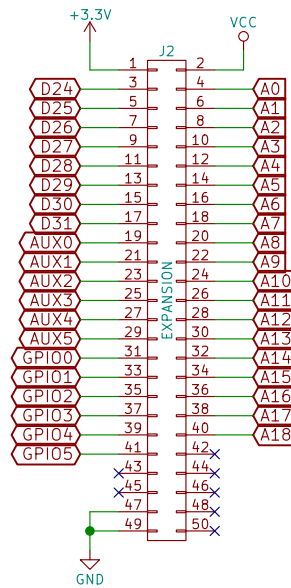
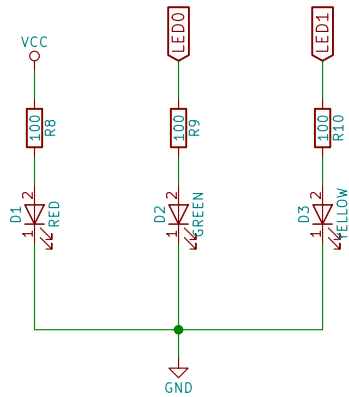
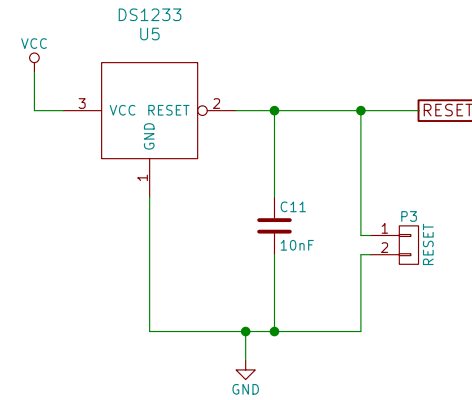
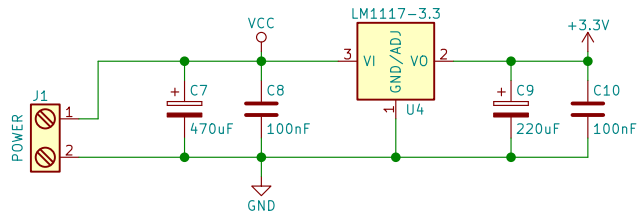
(c)2017 Tobias Rathje

Sheet: /RAM/
File: T030_RAM.sch

Title: T030 - RAM

Size: A4 Date: 2017-04-26
KiCad E.D.A. kicad 4.0.7

Rev: 2.0
Id: 2/8



(c)2017 Tobias Rathje

Sheet: /RESET/
File: T030_RESET.sch

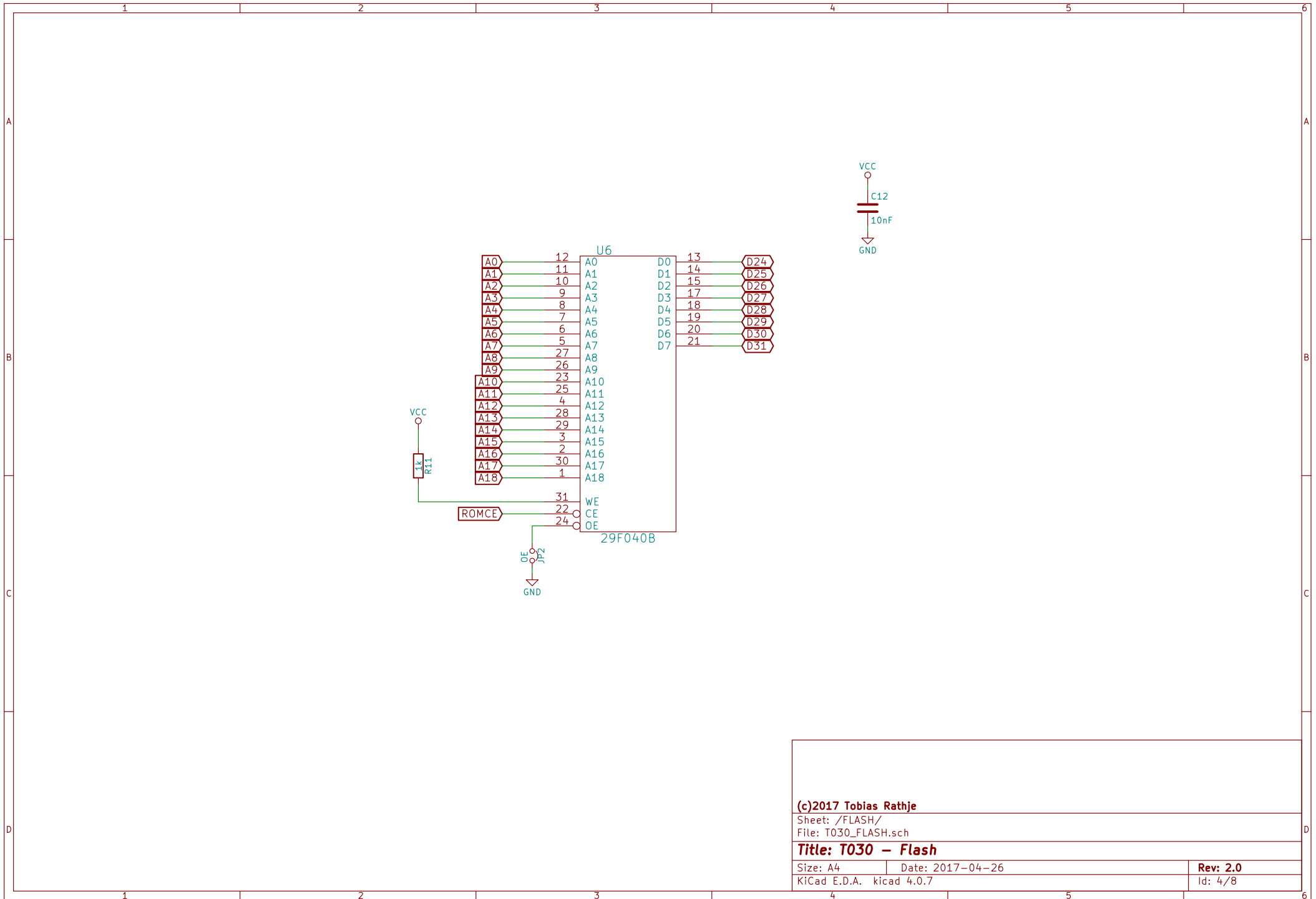
Title: T030 Reset & Power

Size: A4 Date: 2017-04-26

KiCad E.D.A. kicad 4.0.7

Rev: 2.0

Id: 3/8



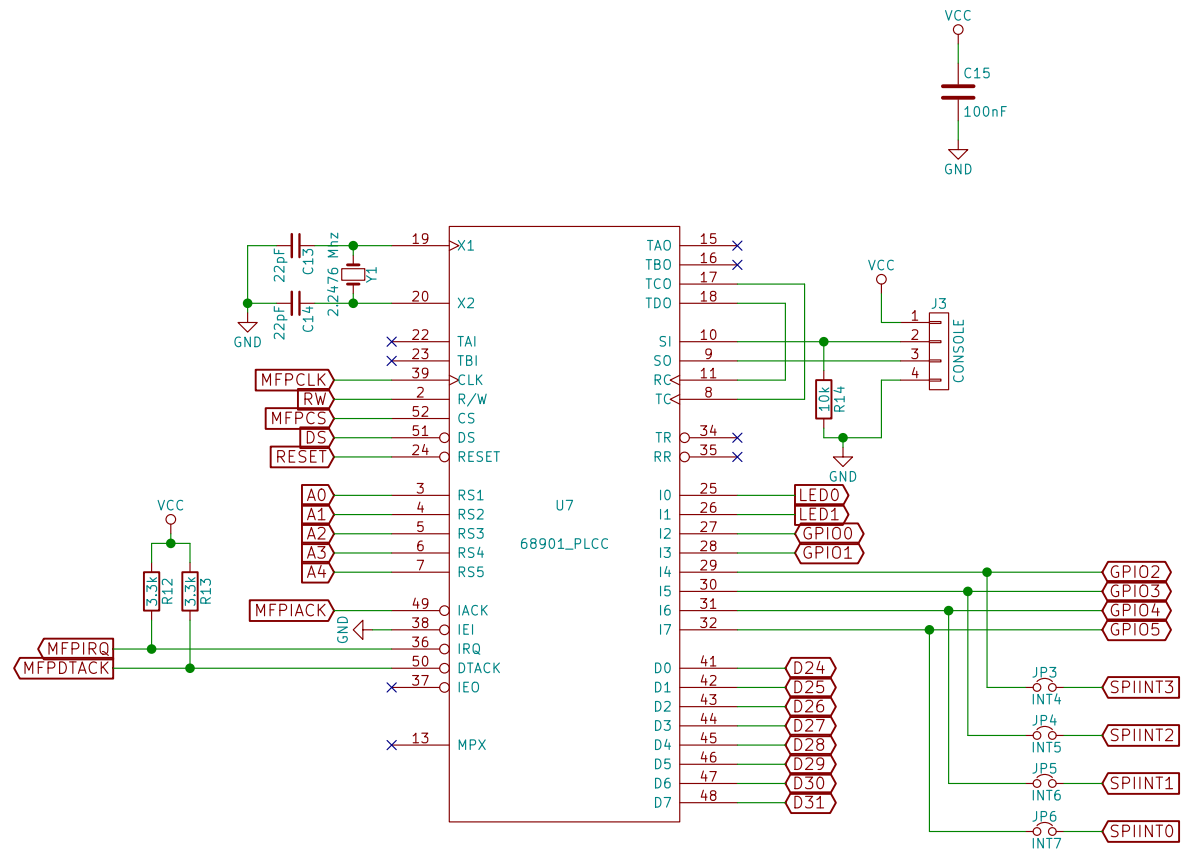
(c)2017 Tobias Rathje

Sheet: /FLASH/
File: T030_FLASH.sch

Title: T030 – Flash

Size: A4 Date: 2017-04-26
KiCad E.D.A. kicad 4.0.7

Rev: 2.0
Id: 4/8



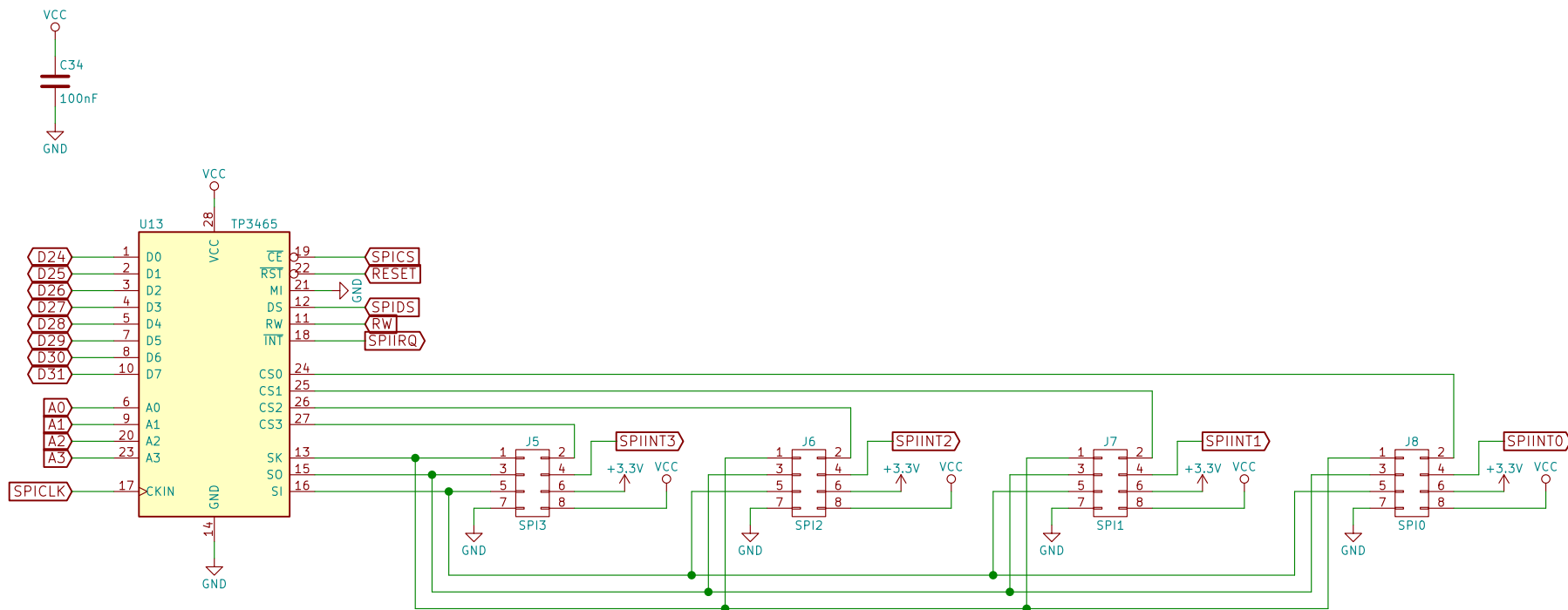
(c)2017 Tobias Rathje

Sheet: /MFP/
File: T030_MFP.sch

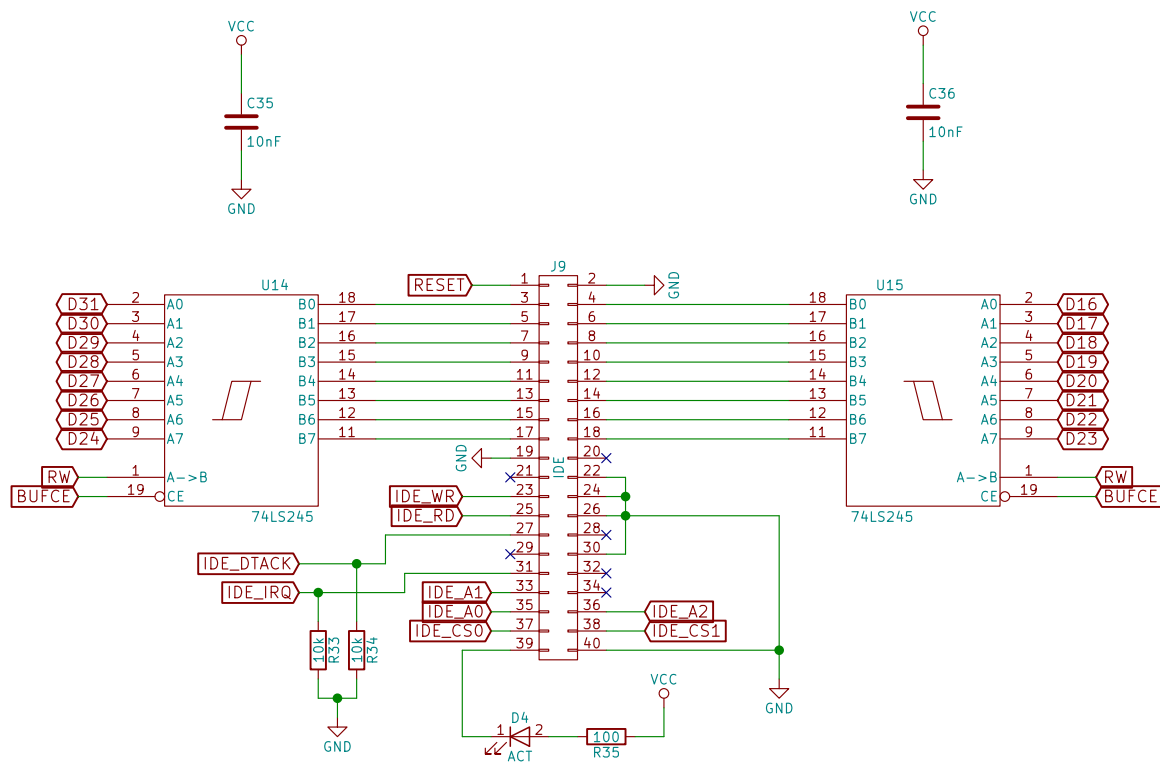
Title: T030 - MFP

Size: A4 Date: 2017-04-26
KiCad E.D.A. kicad 4.0.7

Rev: 2.0
Id: 5/8



Sheet: /SPI/	
File: T030_SPI.sch	
Title: T030 - SPI	
Size: A4	Date: 2017-05-05
KiCad E.D.A. kicad 4.0.7	Rev: Id: 7/8



Sheet: /IDE/
 File: T030_IDE.sch

Title: T030 - IDE

Size: A4 | Date: 2018-03-28
 KiCad E.D.A. kicad 4.0.7

Rev:
 Id: 8/8